



Revised  
2-10-41

*This book not up to date  
Use other books*

**DIAGRAMS**  
— OF —  
**TENDERS**

**SOUTHERN PACIFIC COMPANY**  
**PACIFIC LINES**  
**MOTIVE POWER DEPARTMENT**



DIAGRAMS

— OF —

TENDERS

SOUTHERN PACIFIC COMPANY

PACIFIC LINES

MOTIVE POWER DEPARTMENT

8-31-37  
REVISED  
2-10-41

## INDEX OF TENDER DIAGRAM PAGES

37-SR-1		40-SR-1		40-R		45-R
5293		5500	5567	5342		5761
		5505	5570			5796
		5507	5572			5800
		5508	5573			
		5510	5577			
		5511	5578			
		5512	5582			
		5513	5586			
		5522	5587			
		5523	5590			
		5524	5591			
		5525	5594			
		5528	5595			
		5529	5599			
		5535	5600			
		5540	5601			
		5541	5605			
		5542	5606			
		5543	5610			
		5544	5617			
		5545	5618			
		5546	5621			
		5547	5625			
		5548				
		5552				
		5554				
		5556				
		5558				
		5561				
		5563				

## Index of Tender Diagram Pages.

Dated  
8-31-37  
Revised  
2-10-41

47-C-1	47-C-2	49-5C-1 No Diagram	50-R	52-C-1		53-5R-1 No Diagram	55-R		
5900	5950	6026	6053	6100	6130	6151	6309		
5901	5951	6027	6063	6101	6131	6155			
5902	5952		6065	6102	6132				
5903	5953		6082	6103	6133				
5904	5954			6104	6134				
5905	5955			6105	6135				
5906	5956			6106	6136				
5907	5957			6107	6137				
5908	5958			6108					
5909	5959			6109					
5910				6110					
5911				6111					
5912				6112					
5913				6113					
5914				6114					
				6115					
				6116					
				6117					
				6118					
				6119					
				6120					
				6121					
				6122					
				6123					
				6124					
				6125					
				6126					
				6127					
				6128					
				6129					

8-31-37

REVISED  
2-10-41

## INDEX OF TENDER DIAGRAM PAGES

59-R No Diagram	60-R No Diagram	60-R-1		60-R-2 No Diagram	62-5C-1 No Diagram
6330	H1-1	6506	6606	6701	6750
6331	K1-2.5	6510	6613	6704	
	01-3	6513	6618	6706	
		6514	6624	6707	
		6519	6625	6709	
		6520	6636	6710	
		6523	6638		
		6527	6641		
		6528	6646		
		6530	6654		
		6532	6668		
		6536	6669		
		6539	6671		
		6555	6673		
		6556	6674		
		6558	6676		
		6559	6689		
		6571	6690		
		6572			
		6578			
		6580			
		6583			
		6587			
		6588			
		6589			
		6596			
		6598			
		6599			
		6601			
		6602			

8-31-37  
REVISED  
2-10-41

## INDEX OF TENDER DIAGRAM PAGES

69-R No Diagram	70-C-2	70-C-3	70 - C - 9			70-C-10
G4a-3	6952	7104	6852	7040	7158	6826
	6958	7107	6854	7041	7159	6965
	6959	7108	6855	7043	7162	6970
	6966	7113	6856	7047	7163	7028
	6967	7119	6960	7050	7164	7030
	6973	7123	6961	7051	7167	7031
	6974	7131	6963	7068	7170	7034
	6985	7134	6964	7075	7173	7036
	6987	7153	6969	7082	7185	7046
	6989	7161	6971	7083	7189	7048
	6997	7169	6972	7084	7192	7057
	7008	7175	6976	7105	7193	7061
	7014	7181	6977	7109	7194	7062
	7021	7186	6978	7115	7197	7067
	7024	7188	6984	7116	7198	7069
	7026	7190	6988	7117	7201	7077
	7042	7211	6993	7121	7204	7100
	7044		6998	7125	7207	7103
	7049		6999	7126	7208	7124
	7054		7000	7127	7210	7155
	7055		7009	7129		7165
	7058		7011	7130		7168
	7059		7012	7133		7178
	7060		7013	7137		7182
	7066		7015	7140		7183
	7073		7016	7141		7206
	7079		7019	7142		
			7023	7145		
			7025	7152		
			7035	7157		

Dated  
8-31-37  
Revised  
R-10-A1

Index of Tender Diagram Pages

70-C-9	70-C-10		70-R-1 No. Diagram	70-R-2 No. Diagram	70-SC-1 No. Diagram	73-SC-1		75-R-1 No. Diagram	75-R-2 No. Diagram
6854	7031		7250	7262	7275	7300	7330	7353	7363
6855	7067		7251		7276	7301	7331	7354	7364
6964			7252		7277	7302	7332	7355	7365
7000			7253		7278	7303	7334	7356	7366
7016			7254		7279	7304	7335	7357	7367
7035			7255		7280	7305	7336	7359	7368
7041			7256		7281	7306	7337	7360	7370
7043			7257		7282	7307	7338	7361	7372
7047			7258		7283	7308	7339	7362	7373
7050			7261		7284	7309	7340		7374
7129					7285	7310	7341		7375
7133					7286	7311	7342		7376
7163					7287	7312	7343		7377
7185					7288	7313	7344		7378
7197					7289	7314	7345		7379
7201					7290	7315	7346		7380
7210						7316	7347		7382
						7317	7348		
						7318	7349		
						7319	7350		
						7320	7351		
						7321	7352		
						7322			
						7323			
						7324			
						7325			
						7326			
						7327			
						7328			
						7329			

SEE PAGE \*

## Index of Tender Diagram Pages.

Dated  
8-31-37  
Revised  
2-10-41

78-R-1 No Diagram	80-R-1 No Diagram	90-C-1		90-C-2		90-R-1 NP			
7383	7399	7400	7430	7450	7480	7550	7602		
7384		7401	7431	7451		7552	7605		
7385		7402	7432	7452		7553	7606		
		7403	7433	7453		7554			
		7404	7434	7454		7571			
		7405	7435	7455		7573			
		7406	7436	7456		7574			
		7407	7437	7457		7575			
		7408	7438	7458		7577			
		7409	7439	7459		7578			
		7410	7440	7460		7579			
		7411	7441	7461		7580			
		7412	7442	7462		7581			
		7413		7463		7582			
		7414		7464		7583			
		7415		7465		7584			
		7416		7466		7585			
		7417		7467		7586			
		7418		7468		7587			
		7419		7469		7588			
		7420		7470		7590			
		7421		7471		7591			
		7422		7472		7592			
		7423		7473		7593			
		7424		7474		7594			
		7425		7475		7596			
		7426		7476		7597			
		7427		7477		7598			
		7428		7478		7600			
		7429		7479		7601			



Dated  
8-31-37

## Index of Tender Diagram Pages.

90-R-1 P	90-R-2	90-R-3	90-R-4	90-R-5 No Diagram	90-R-6 No Diagram	90-R-7			
7551	7651	7675	7725	7745	7771	7780	7810		
7555	7652	7676	7726	7746	7772	7781	7811		
7556	7653	7677	7727	7747	7773	7782	7812		
7557	7654	7682	7728	7748	7774	7783	7813		
7558	7655	7683	7729	7749	7775	7784	7814		
7559	7656	7684	7730	7750	7776	7785	7815		
7560	7657	7685	7731	7752	7777	7786	7816		
7561	7659	7686	7732	7753	7778	7787	7817		
7565	7661	7687	7733	7754	7779	7788	7819		
7567		7688	7734	7755		7789	7820		
7568		7689	7735	7756		7790	7821		
7569		7690	7736	7757		7791	7822		
7576		7691	7737	7758		7792	7823		
7599		7692	7738	7759		7793	7824		
7604		7693	7739	7760		7794	7825		
		7694	7740	7761		7795	7826		
		7695	7741	7762		7796	7827		
		7696		7763		7797	7828		
		7697		7764		7798	7829		
		7698		7765		7799			
		7699		7766		7800			
		7700		7767		7801			
		7701		7768		7802			
		7702		7769		7803			
		7703				7804			
		7704				7805			
						7806			
						7807			
						7808			
						7809			

## Index of Tender Diagram Pages

Dated  
8-31-37  
Revised  
2-10-41

98-5C-3	98-5C-5	98-5C-6		100-C-1	100-C-2	100-C-3	
7910	7952	7941		8000	8052	8100	8200 8230
	7953			8001		8101	8201 8231
	7956			8002		8102	8202 8232
	7957			8004		8103	8203 8233
				8005		8104	8204 8234
				8007		8105	8205 8235
				8008		8106	8206 8236
				8012		8107	8207 8237
				8014		8108	8208 8238
				8015		8109	8209
				8016		8110	8210
				8020		8111	8211
				8022		8112	8212
				8026		8113	8213
				8028		8114	8214
				8029		8115	8215
				8030		8116	8216
				8031		8117	8217
				8033		8118	8218
				8034		8119	8219
				8035		8120	8220
				8036		8121	8221
				8037		8122	8222
				8039		8123	8223
				8040		8124	8224
				8041			8225
				8043			8226
				8044			8227
				8046			8228
				8051			8229

Dated  
8-31-37

## Index of Tender Diagram Pages.

100-C-4				100-C-5	100-C-6		100-C-7		
8330	8362	8393	8423	8450	8194	8485	8490		
8331	8363	8394	8424	8451	8195	8486	8491		
8332	8364	8395	8425	8452	8198	8487	8492		
8335	8365	8396	8426	8453	8199	8488	8493		
8336	8367	8397	8427	8454	8459	8489	8494		
8337	8368	8398	8428	8455	8460		8495		
8338	8369	8399	8429	8456	8461		8496		
8339	8370	8400	8430	8457	8462		8497		
8340	8371	8401	8431	8458	8463		8498	2582	
8341	8372	8402	8432		8464		8499		
8342	8373	8403	8433		8465				
8343	8374	8404	8434		8466				
8344	8375	8405	8435		8467				
8345	8376	8406	8436		8468				
8346	8377	8407	8437		8469				
8347	8378	8408	8438		8470				
8348	8379	8409	8439		8471				
8349	8380	8410	8440		8472				
8350	8381	8411	8441		8473				
8351	8382	8412	8442		8474				
8352	8383	8413	8443		8475				
8353	8384	8414	8444		8476				
8354	8385	8415	8445		8477				
8355	8386	8416	8446		8478				
8356	8387	8417	8447		8479				
8357	8388	8418	8448		8480				
8358	8389	8419	8449		8481				
8359	8390	8420			8482				
8360	8391	8421			8483				
8361	8392	8422			8484				

## Index of Tender Diagram Pages.

Dated  
8-31-37  
Revised  
2-10-41

120-C-1 oil Burning		120-C-1 Coal Burning	120-C-2		120-C-3		120-C-4	
8500	8545	8515	8600	8635		8684	8694	
8501	8546	8518	8601	8636	8651	8685		
8502	8547	8519	8603	8637	8652	8686		
8503	8548	8528	8604	8638	8654	8687		
8504	8549	8529	8605	8639	8655	8688		
8505	8552	8550	8606	8640	8656	8689		
8506	8553	8556	8607	8641	8657	8690		
8507	8554	8558	8608	8642	8658	8691		
8508	8555	8567	8609	8644	8659	8692		
8509	8560	8576	8610	8645	8660	8693		
8510	8562	8579	8613	8646	8661			
8511	8564		8614	8647	8662			
8512	8568		8615	8648	8663			
8513	8569		8617	8649	8665			
8514	8577		8618		8666			
8516			8619		8667			
8517			8620		8668			
8520			8621		8669			
8521			8622		8671			
8525			8623		8672			
8530			8624		8673			
8531			8625		8674			
8532			8626		8675			
8534			8627		8677			
8535			8628		8678			
8536			8629		8679			
8538			8630		8680			
8540			8631		8681			
8541			8633		8682			
8543			8634		8683			

## Index of Tender Diagram Pages.

Dated  
8-31-37  
Revised  
2-10-41

120-C-5	120-C-6	120-C-7 Coal Burning	120-C-7 Oil Burning	120-C-8		120-SC-1	120-SC-2	120-SC-3	
8696	8710	8728	8729	8746		7969	7998	7942	
8697	8711	8732	8730	8747		7970	7999	7943	
8698	8712	8734	8731	8748		7971		7944	
8699	8713	8736	8733	8749		7972		7945	
8700	8714	8737	8735	8750		7973		7946	
8703	8716	8739	8738	8751		7974		7947	
8704	8717	8740	8741	8752		7975		7948	
8705	8718	8744	8742	8753		7976			
8706	8719	8776	8743	8754		7977			
8707	8720	8777	8745	8755		7978			
8708	8721		8774	8756		7979			
8709	8722		8775	8758		7980			
	8724		8778	8759		7981			
	8725			8760		7982			
	8726			8761		7983			
	8727			8762		7984			
	8769			8763		7985			
	8770			8764		7986			
	8771			8765		7987			
	8772			8766		7988			
	8773			8767		7989			
						7990			
						7991			
						7992			
						7993			
						7994			
						7995			
						7996			
						7997			

## Index of Tender Diagram Pages

Dated  
8-31-37  
Revised  
2-10-41

120-5C-4	120-5C-5	120-5C-6		121-R-1 No Diagram	160-C-1	160-C-2 NP		160-C-2 P
7930	7926	7963		8580	8779	8797	8837	8815
7932	7927	7964		8581	8780	8798	8838	8816
7933	7928	7965		8582	8781	8799	8839	8817
7934	7929	7966		8583	8782	8800	8840	8818
7935		7967		8585	8783	8801	8841	8819
7936		7968			3784	8802	8842	8820
7937					8785	8803	8843	8821
7938					8786	8804	8844	8822
7939					8787	8805	8845	8823
7940					8788	8806	8846	8824
					8789	8807	8847	8855
					8790	8808	8848	8856
					8791	8809	8849	8857
					8792	8810	8850	8858
					8793	8811	8851	8859
					8794	8812	8852	8860
					8795	8813	8853	8861
					8796	8814	8854	8862
						8825		8863
						8826		8864
						8827		8865
						8828		8866
						8829		8867
						8830		8868
						8831		8869
						8832		8870
						8833		
						8834		
						8835		
						8836		

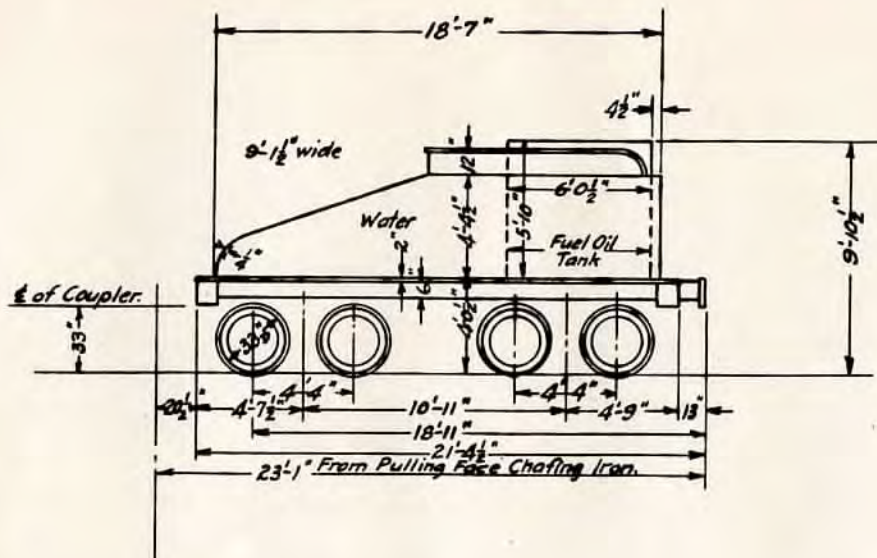
B-31-37  
 REVISED  
 12-1-39

## INDEX OF TENDER DIAGRAM PAGES

160-C-3 NP	160-C-3 P	160-C-4		220-R-1	220-R-2	220-R-3		222-R-1	
8871	8891	8916		9012	9000	9056		9200	
8872	8892	8917		9013	9001	9057		9201	
8873	8893	8918		9014	9002	9058		9202	
8874	8894	8919		9015	9003	9059		9203	
8875	8895	8920		9016	9004	9060		9204	
8876	8896	8921		9017	9005	9061		9205	
8877	8897	8922		9018	9006	9062		9206	
8878	8898	8923		9019	9007	9063		9207	
8879	8899	8924		9020	9008	9064		9208	
8880	8900	8925		9021	9009	9065		9209	
8881	8901			9022	9010	9066		9210	
8882	8902			9023	9011	9067		9211	
8883	8903			9024	9032	9068			
8884	8904			9025	9033	9069			
8885	8905			9026	9034	9070			
8886	8906			9027	9035	9071			
8887	8907			9028	9036	9072			
8888	8908			9029	9037	9073			
8889	8909			9030	9038	9074			
8890	8910			9031	9039	9075			
	8911			9046	9040	9076			
	8912			9047	9041	9077			
	8913			9048	9042	9078			
	8914			9049	9043	9079			
	8915			9050	9044	9080			
				9051	9045	9081			
				9052		9082			
				9053		9083			
				9054					
				9055					

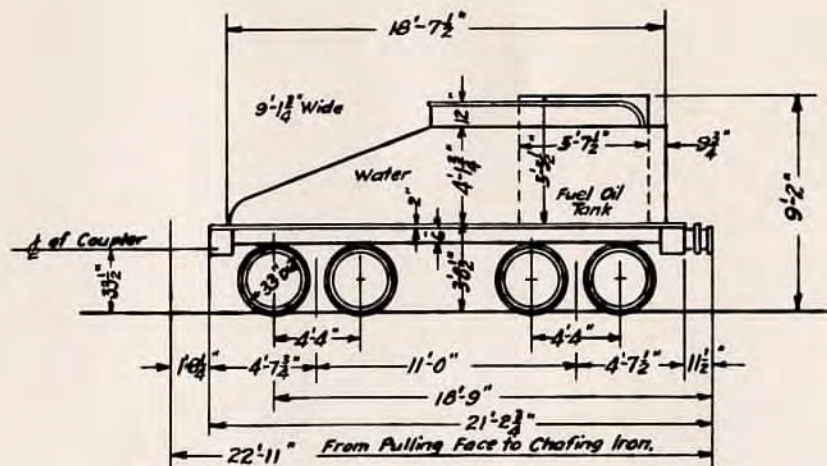






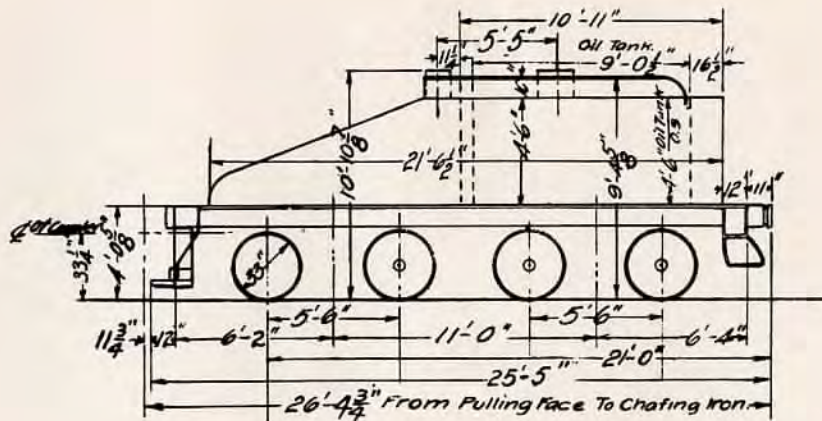
DIMENSIONS AND WEIGHTS FOR LOADED TENDER.

CAPACITY OF OIL TANK.....	1057	GALS.	SIZE OF TRUCK JOURNAL.....	4 1/4" x 8"	
GALLONS OF OIL TO MARKER BAR.....		GALS.	WEIGHT OF TRUCK.....		LBS.
CAPACITY OF WATER TANK.....	3500	GALS.	WIDTH OVER FRONT STEPS.....	9'-11 1/2"	
WEIGHT OF TENDER, EMPTY.....	39500	LBS.	WIDTH OVER BACK STEPS.....	9'-11 1/2"	
WEIGHT OF 3500 GALLONS OF WATER.....	29170	LBS.	EXTREME WIDTH (over steps).....	9'-11 1/2"	
WEIGHT OF 1057 GALLONS OF FUEL OIL.....	8460	LBS.	Width over end sills.....	9'-5"	
WEIGHT OF TENDER, LOADED.....	77,000	LBS.			
JOURNAL PRESSURE IN POUNDS PER SQUARE INCH OF PROJECTED AREA.....					



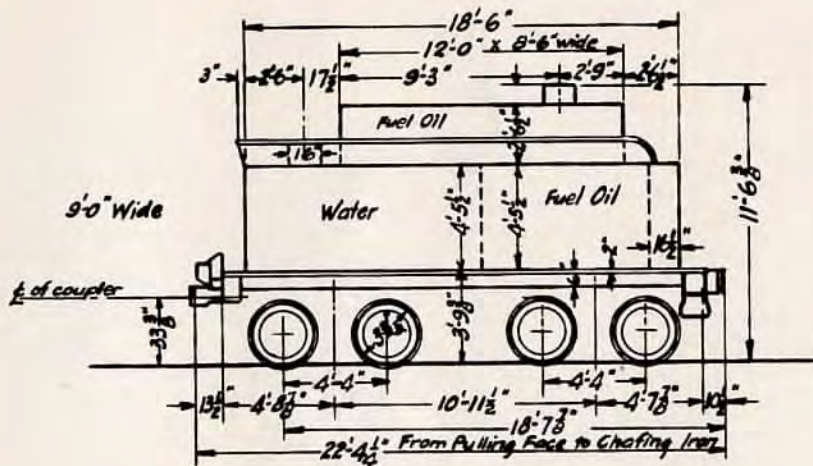
## DIMENSIONS AND WEIGHTS FOR LOADED TENDER.

CAPACITY OF OIL TANK.....	863	GALS.	SIZE OF TRUCK JOURNAL.....	4 1/4" x 8"
GALLONS OF OIL TO MARKER BAR.....		GALS.	WEIGHT OF TRUCK.....	LBS.
CAPACITY OF WATER TANK.....	3,700	GALS.	WIDTH OVER FRONT STEPS.....	10'-3"
WEIGHT OF TENDER, EMPTY.....	41,360	LBS.	WIDTH OVER BACK STEPS.....	10'-3"
WEIGHT OF 3,700 GALLONS OF WATER.....	30,830	LBS.	EXTREME WIDTH (over steps).....	10'-3"
WEIGHT OF 863 GALLONS OF FUEL OIL.....	6,900	LBS.	Width over end sills.....	9'-4 1/2"
WEIGHT OF TENDER, LOADED.....	78,800	LBS.		
JOURNAL PRESSURE IN POUNDS PER SQUARE INCH OF PROJECTED AREA.....				



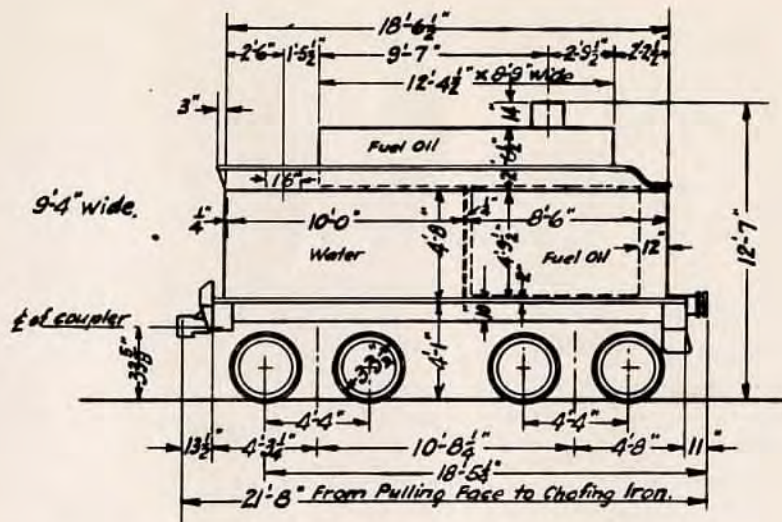
## DIMENSIONS AND WEIGHTS FOR LOADED TENDER.

CAPACITY OF OIL TANK.....	1,020	GALS.	SIZE OF TRUCK JOURNAL.....	4 1/4" x 8"	
GALLONS OF OIL TO MARKER BAR.....		GALS.	WEIGHT OF TRUCK.....	6,400	LBS.
CAPACITY OF WATER TANK.....	4,000	GALS.	WIDTH OVER FRONT STEPS.....	10'-0"	
WEIGHT OF TENDER, EMPTY.....	43,150	LBS.	WIDTH OVER BACK STEPS.....	10'-0"	
WEIGHT OF 4,000 GALLONS OF WATER.....	33,300	LBS.	EXTREME WIDTH (over steps).....	10'-0"	
WEIGHT OF 1,020 GALLONS OF FUEL OIL.....	8,150	LBS.	Width over end sills.....	9'-3"	
WEIGHT OF TENDER, LOADED.....	84,600	LBS.	Height-Top of rail to center of gravity.....	5'-0 1/16"	
JOURNAL PRESSURE IN POUNDS PER SQUARE INCH OF PROJECTED AREA.....					



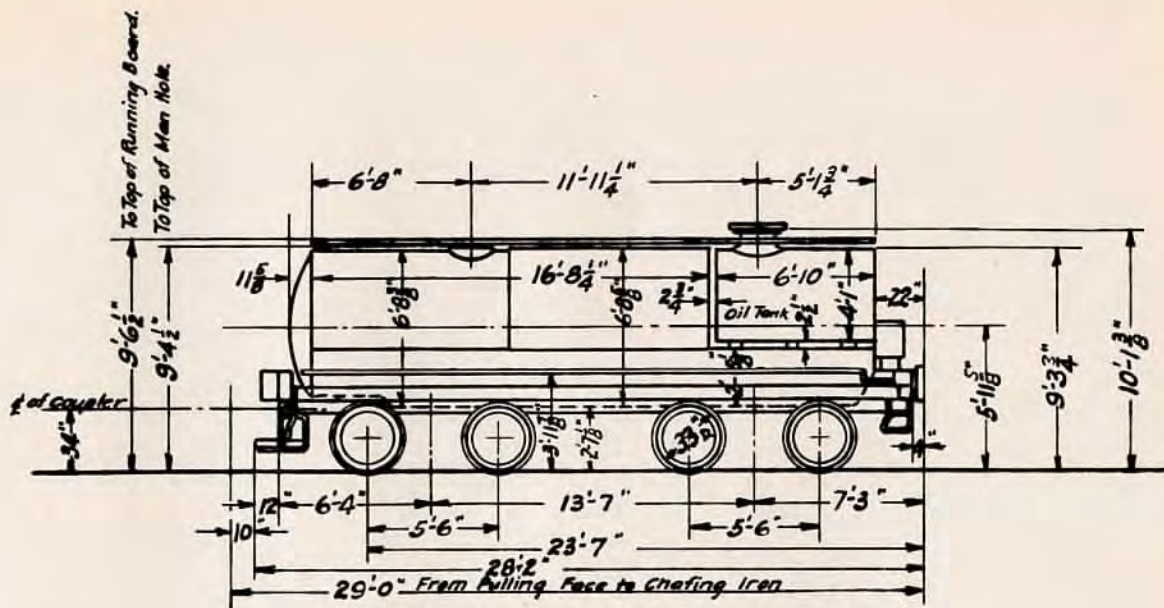
## DIMENSIONS AND WEIGHTS FOR LOADED TENDER.

CAPACITY OF OIL TANK.....	2,800	GALS.	SIZE OF TRUCK JOURNAL.....	5" x 9"
GALLONS OF OIL TO MARKER BAR.....		GALS.	WEIGHT OF TRUCK.....	LBS.
CAPACITY OF WATER TANK.....	4,000	GALS.	WIDTH OVER FRONT STEPS.....	9'-7"
WEIGHT OF TENDER, EMPTY.....	41,600	LBS.	WIDTH OVER BACK STEPS.....	
WEIGHT OF 4,000 GALLONS OF WATER.....	33,333	LBS.	EXTREME WIDTH..... (over front steps)	9'-7"
WEIGHT OF 2,800 GALLONS OF FUEL OIL.....	22,400	LBS.	Width over end sills.....	9'-4"
WEIGHT OF TENDER, LOADED.....	97,320	LBS.		
JOURNAL PRESSURE IN POUNDS PER SQUARE INCH OF PROJECTED AREA.....				



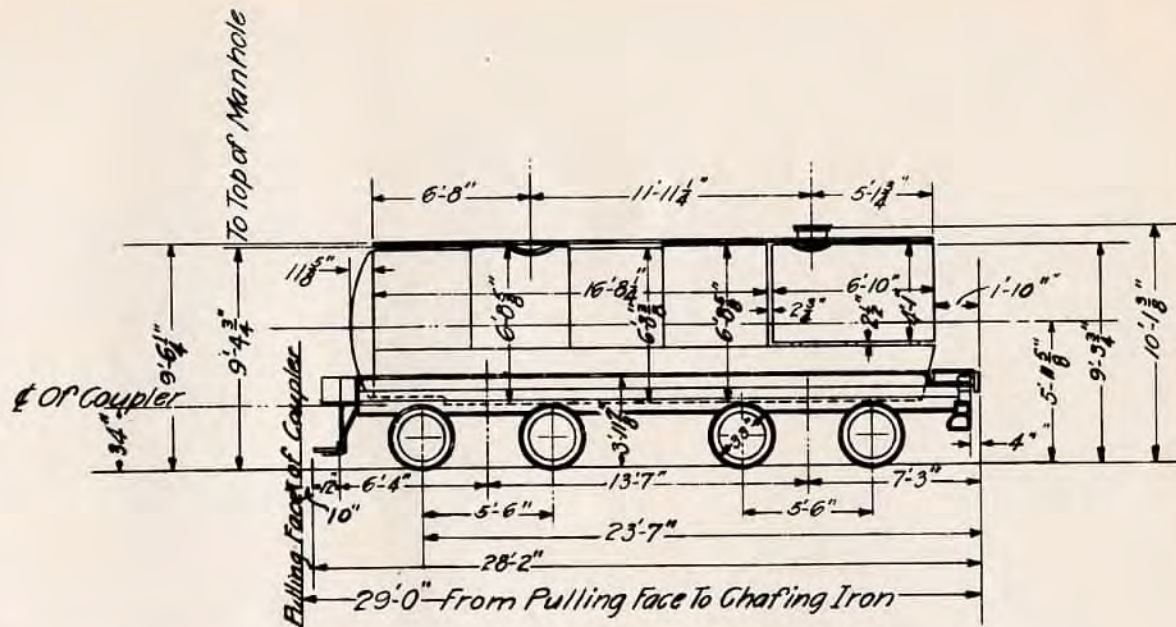
DIMENSIONS AND WEIGHTS FOR LOADED TENDER.

CAPACITY OF OIL TANK.....	2,990	GALS.	SIZE OF TRUCK JOURNAL .....	5"X9"	
GALLONS OF OIL TO MARKER BAR.....		GALS.	WEIGHT OF TRUCK .....		LBS.
CAPACITY OF WATER TANK.....	4,500	GALS.	WIDTH OVER FRONT STEPS.....	9'-11"	
WEIGHT OF TENDER, EMPTY.....	45,600	LBS.	WIDTH OVER BACK STEPS.....		
WEIGHT OF 4,500 GALLONS OF WATER.....	37,500	LBS.	EXTREME WIDTH..... (over front steps)	9'-11"	
WEIGHT OF 2,990 GALLONS OF FUEL OIL.....	25,920	LBS.	Width over end sills.....	9'-5"	
WEIGHT OF TENDER, LOADED.....	107,019	LBS.			
JOURNAL PRESSURE IN POUNDS PER SQUARE INCH OF PROJECTED AREA.....					



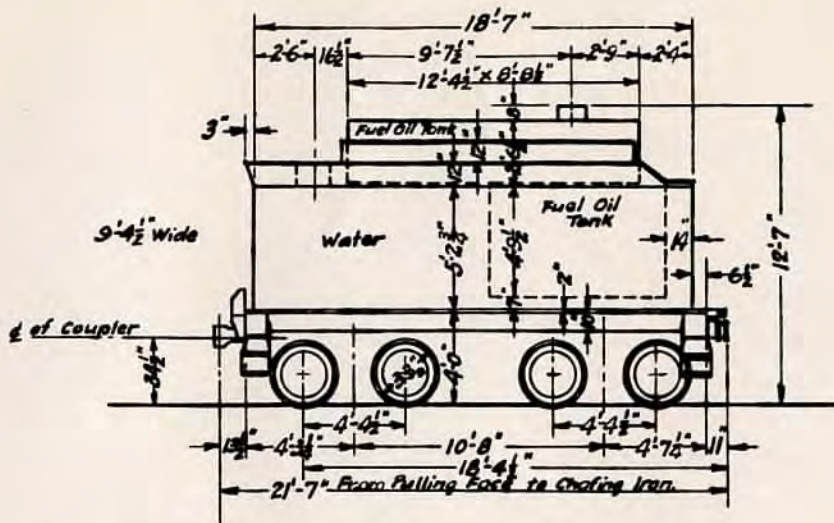
## DIMENSIONS AND WEIGHTS FOR LOADED TENDER.

CAPACITY OF OIL TANK.....	1,100	GALS.	SIZE OF TRUCK JOURNAL.....	4 1/2" x 8"	
GALLONS OF OIL TO MARKER BAR.....		GALS.	WEIGHT OF TRUCK.....	6,400	LBS.
CAPACITY OF WATER TANK.....	4,950	GALS.	WIDTH OVER FRONT STEPS.....	9'-6"	
WEIGHT OF TENDER, EMPTY.....	43,450	LBS.	WIDTH OVER BACK STEPS.....		
WEIGHT OF 4,950 GALLONS OF WATER.....	41,250	LBS.	EXTREME WIDTH (over front steps).....	9'-6"	
WEIGHT OF 1,100 GALLONS OF FUEL OIL.....	8,800	LBS.	width over end sills.....	9'-3"	
WEIGHT OF TENDER, LOADED.....	93,500	LBS.			
JOURNAL PRESSURE IN POUNDS PER SQUARE INCH OF PROJECTED AREA.....					



**DIMENSIONS AND WEIGHTS FOR LOADED TENDER.**

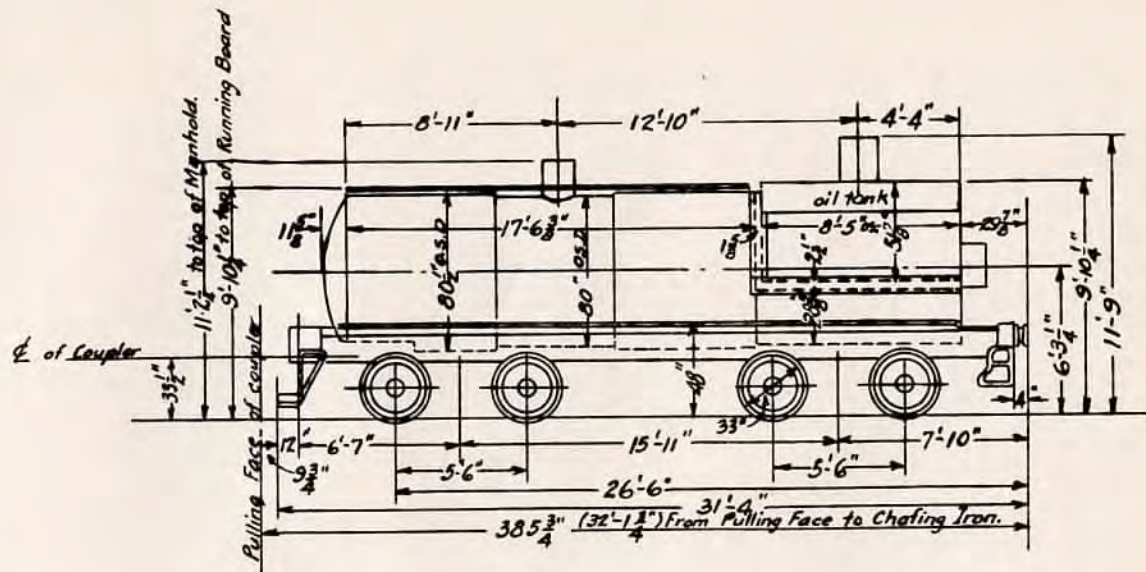
CAPACITY OF OIL TANK.....	1,100	GALS.	SIZE OF TRUCK JOURNAL.....	4 1/4" X 8"
GALLONS OF OIL TO MARKER BAR.....		GALS.	WEIGHT OF TRUCK.....	6,400 LBS.
CAPACITY OF WATER TANK.....	4,700	GALS.	WIDTH OVER FRONT STEPS.....	9'-6"
WEIGHT OF TENDER, EMPTY.....	45,500	LBS.	WIDTH OVER BACK STEPS.....	
WEIGHT OF 4,700 GALLONS OF WATER.....	39,170	LBS.	EXTREME WIDTH (over front steps).....	9'-6"
WEIGHT OF 1,100 GALLONS OF FUEL OIL.....	8,800	LBS.	Width over end sills.....	9'-3"
WEIGHT OF TENDER, LOADED.....	93,470	LBS.		
JOURNAL PRESSURE IN POUNDS PER SQUARE INCH OF PROJECTED AREA.....				



DIMENSIONS AND WEIGHTS FOR LOADED TENDER.

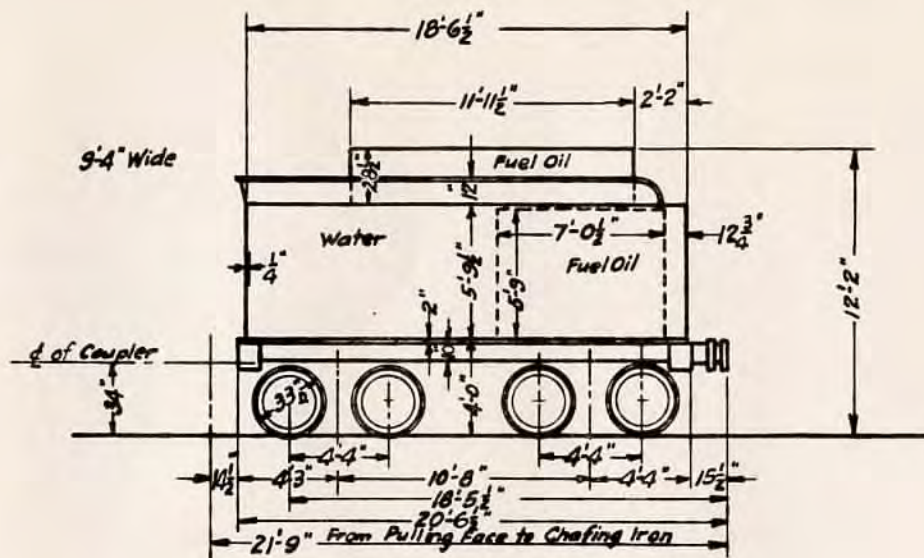
CAPACITY OF OIL TANK.....	2,988	GALS.	SIZE OF TRUCK JOURNAL.....	5"X9"	
GALLONS OF OIL TO MARKER BAR.....		GALS.	WEIGHT OF TRUCK.....		LBS.
CAPACITY OF WATER TANK.....	5,000	GALS.	WIDTH OVER FRONT STEPS.....	9'-11 <sup>3</sup> / <sub>4</sub> "	
WEIGHT OF TENDER, EMPTY.....	50,500	LBS.	WIDTH OVER BACK STEPS.....	10'-2 <sup>1</sup> / <sub>4</sub> "	
WEIGHT OF 5,000 GALLONS OF WATER.....	41,650	LBS.	EXTREME WIDTH (over back steps).....	10'-2 <sup>1</sup> / <sub>4</sub> "	
WEIGHT OF 2,988 GALLONS OF FUEL OIL.....	23,904	LBS.	Width over end sills.....	9'-7"	
WEIGHT OF TENDER, LOADED.....	114,600	LBS.			
JOURNAL PRESSURE IN POUNDS PER SQUARE INCH OF PROJECTED AREA.....					





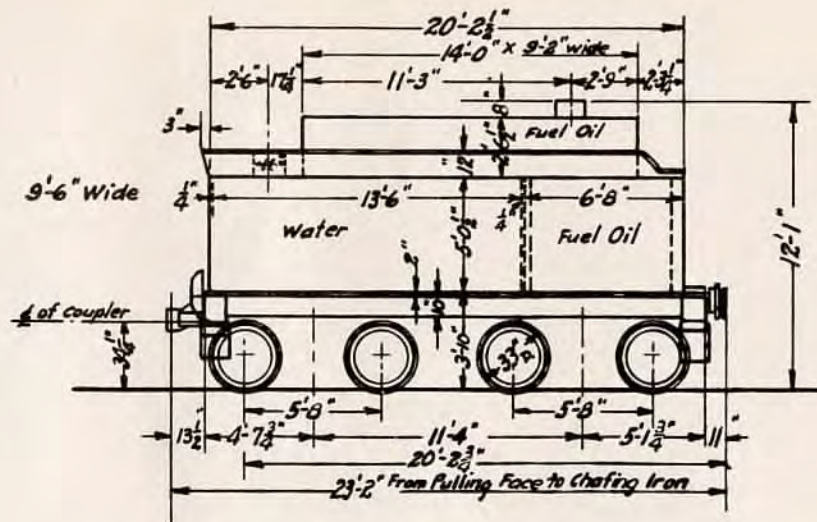
## DIMENSIONS AND WEIGHTS FOR LOADED TENDER.

CAPACITY OF OIL TANK.....	1,508	GALS.	SIZE OF TRUCK JOURNAL.....	$4\frac{1}{4} \times 8$ "	
GALLONS OF OIL TO MARKER BAR.....		GALS.	WEIGHT OF TRUCK.....	6,400	LBS.
CAPACITY OF WATER TANK.....	5,225	GALS.	WIDTH OVER FRONT STEPS.....	114"	
WEIGHT OF TENDER, EMPTY.....	52,000	LBS.	WIDTH OVER BACK STEPS.....		
WEIGHT OF 5,225 GALLONS OF WATER.....	43,540	LBS.	EXTREME WIDTH..... (over end sills)	118"	
WEIGHT OF 1,508 GALLONS OF FUEL OIL.....	12,060	LBS.			
WEIGHT OF TENDER, LOADED.....	107,600	LBS.			
JOURNAL PRESSURE IN POUNDS PER SQUARE INCH OF PROJECTED AREA.....					



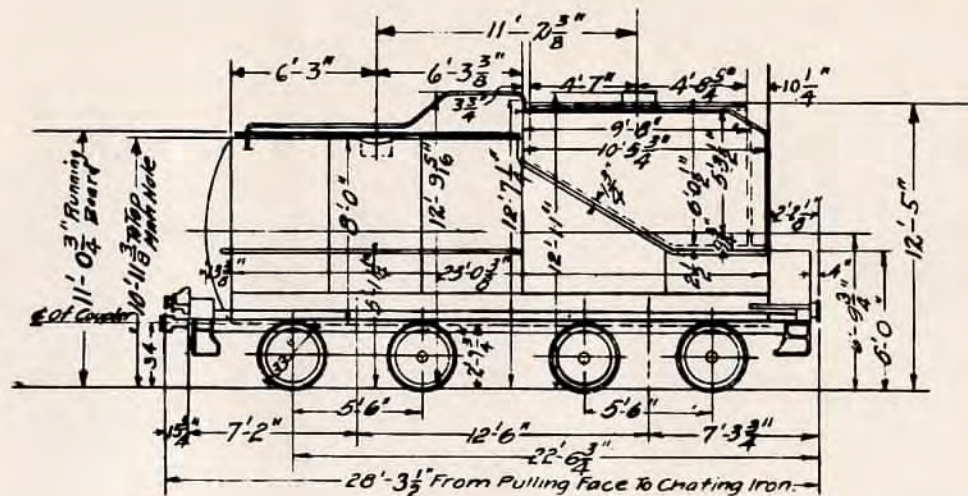
DIMENSIONS AND WEIGHTS FOR LOADED TENDER.

CAPACITY OF OIL TANK.....	2,895	GALS.	SIZE OF TRUCK JOURNAL.....	5" x 9"
GALLONS OF OIL TO MARKER BAR.....		GALS.	WEIGHT OF TRUCK.....	LBS.
CAPACITY OF WATER TANK.....	5,500	GALS.	WIDTH OVER FRONT STEPS.....	9'-10"
WEIGHT OF TENDER, EMPTY.....	52,100	LBS.	WIDTH OVER BACK STEPS.....	9'-10"
WEIGHT OF 5,500 GALLONS OF WATER.....	45,830	LBS.	EXTREME WIDTH..... (over steps)	9'-10"
WEIGHT OF 2,895 GALLONS OF FUEL OIL.....	23,160	LBS.	Width over end sills.....	9'-4 1/2"
WEIGHT OF TENDER, LOADED.....	121,500	LBS.		
JOURNAL PRESSURE IN POUNDS PER SQUARE INCH OF PROJECTED AREA.....				



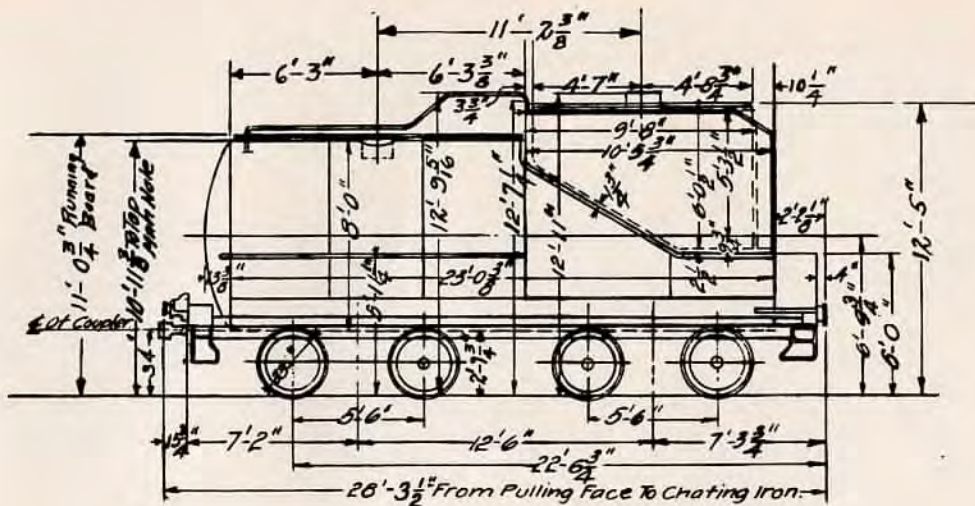
DIMENSIONS AND WEIGHTS FOR LOADED TENDER.

CAPACITY OF OIL TANK.....	3,060	GALS.	SIZE OF TRUCK JOURNAL.....	5 1/2" x 10"	
GALLONS OF OIL TO MARKER BAR.....		GALS.	WEIGHT OF TRUCK.....		LBS.
CAPACITY OF WATER TANK.....	6,000	GALS.	WIDTH OVER FRONT STEPS.....	9'-6"	
WEIGHT OF TENDER, EMPTY.....	59,750	LBS.	WIDTH OVER BACK STEPS.....	9'-6"	
WEIGHT OF 6,000 GALLONS OF WATER.....	50,000	LBS.	EXTREME WIDTH.....		
WEIGHT OF 3,060 GALLONS OF FUEL OIL.....	24,480	LBS.	Width over end sills.....	9'-2"	
WEIGHT OF TENDER, LOADED.....	134,230	LBS.			
JOURNAL PRESSURE IN POUNDS PER SQUARE INCH OF PROJECTED AREA.....					



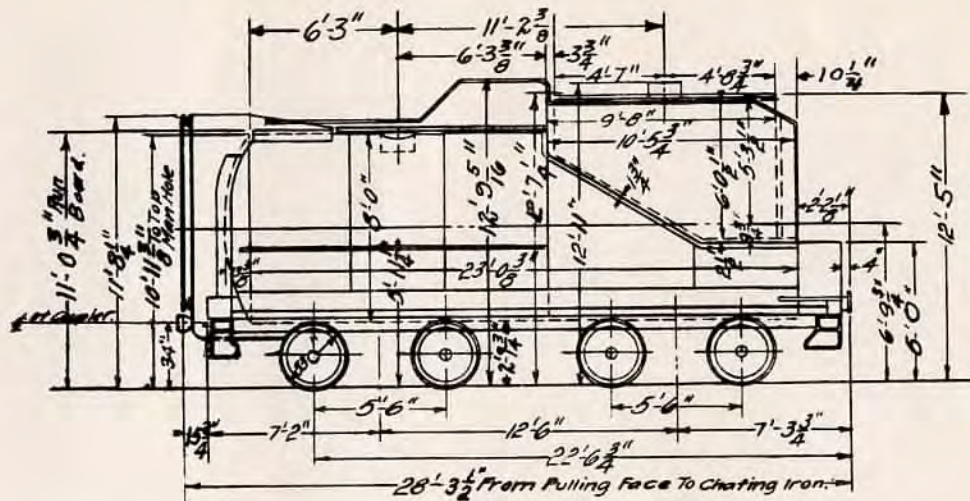
**DIMENSIONS AND WEIGHTS FOR LOADED TENDER.**

CAPACITY OF OIL TANK.....	2,940	GALS.	SIZE OF TRUCK JOURNAL.....	5 1/2" x 10"
GALLONS OF OIL TO MARKER BAR.....		GALS.	WEIGHT OF TRUCK.....	7,830 LBS.
CAPACITY OF WATER TANK.....	7,000	GALS.	WIDTH OVER FRONT STEPS.....	9'-6"
WEIGHT OF TENDER, EMPTY.....	51,600	LBS.	WIDTH OVER BACK STEPS.....	10'-2 1/2"
WEIGHT OF 7,000 GALLONS OF WATER.....	58,300	LBS.	EXTREME WIDTH (over back steps).....	10'-2 1/2"
WEIGHT OF 2,940 GALLONS OF FUEL OIL.....	23,500	LBS.	Width over end sills.....	9'-10"
WEIGHT OF TENDER, LOADED.....	133,400	LBS.	Height-Top of rail to center of gravity.....	6'-1"
JOURNAL PRESSURE IN POUNDS PER SQUARE INCH OF PROJECTED AREA.....				



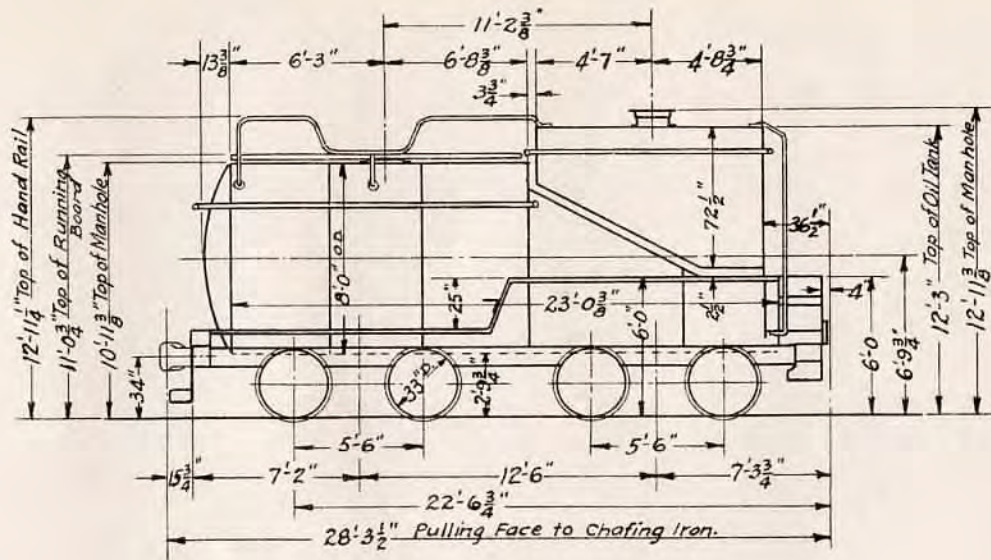
DIMENSIONS AND WEIGHTS FOR LOADED TENDER.

CAPACITY OF OIL TANK.....	2,940 GALS.	SIZE OF TRUCK JOURNAL.....	5 1/2" X 10"
GALLONS OF OIL TO MARKER BAR.....	GALS.	WEIGHT OF TRUCK.....	7,830 LBS.
CAPACITY OF WATER TANK.....	7,000 GALS.	WIDTH OVER FRONT STEPS.....	9'-6"
WEIGHT OF TENDER, EMPTY.....	51,600 LBS.	WIDTH OVER BACK STEPS.....	10'-2 1/2"
WEIGHT OF 7,000 GALLONS OF WATER.....	58,300 LBS.	EXTREME WIDTH (over back steps).....	10'-2 1/2"
WEIGHT OF 2,940 GALLONS OF FUEL OIL.....	23,500 LBS.	Width over end sills.....	9'-10"
WEIGHT OF TENDER, LOADED.....	133,400 LBS.	Height-Top of rail to center of gravity.....	6'-1"
JOURNAL PRESSURE IN POUNDS PER SQUARE INCH OF PROJECTED AREA.....			



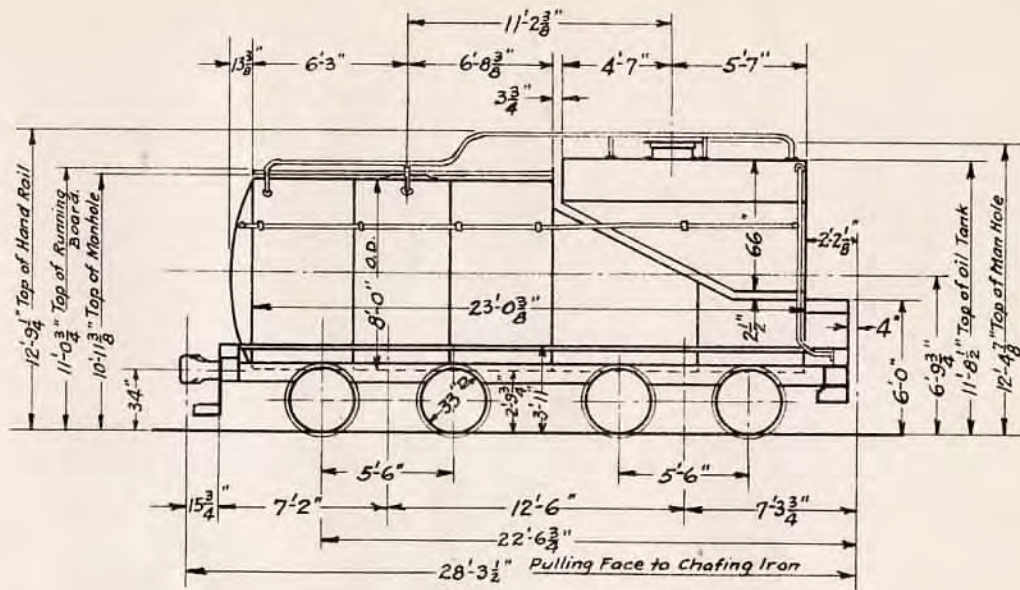
**DIMENSIONS AND WEIGHTS FOR LOADED TENDER.**

CAPACITY OF OIL TANK.....	2,940	GALS.	SIZE OF TRUCK JOURNAL.....	5 1/2" X 10"
GALLONS OF OIL TO MARKER BAR.....		GALS.	WEIGHT OF TRUCK.....	7,830 LBS.
CAPACITY OF WATER TANK.....	7,000	GALS.	WIDTH OVER FRONT STEPS.....	9' 6"
WEIGHT OF TENDER, EMPTY.....	56,300	LBS.	WIDTH OVER BACK STEPS.....	10' 2 1/2"
WEIGHT OF 7,000 GALLONS OF WATER.....	58,300	LBS.	EXTREME WIDTH (over back steps).....	10' 2 1/2"
WEIGHT OF 2,940 GALLONS OF FUEL OIL.....	23,500	LBS.	width over end sills.....	9' 10"
WEIGHT OF TENDER, LOADED.....	138,100	LBS.	Height-Top of rail to center of gravity.....	6' 1 5/8"
JOURNAL PRESSURE IN POUNDS PER SQUARE INCH OF PROJECTED AREA.....				



**DIMENSIONS AND WEIGHTS FOR LOADED TENDER.**

CAPACITY OF OIL TANK.....	2,200	GALS.	SIZE OF TRUCK JOURNAL.....	5 1/2" X 10"
GALLONS OF OIL TO MARKER BAR.....	2,120	GALS.	WEIGHT OF TRUCK.....	7,830 LBS.
CAPACITY OF WATER TANK.....	7,000	GALS.	WIDTH OVER FRONT STEPS.....	9'-6"
WEIGHT OF TENDER, EMPTY.....	50,000	LBS.	WIDTH OVER BACK STEPS.....	8'-9"
WEIGHT OF 7,000 GALLONS OF WATER.....	58,300	LBS.	EXTREME WIDTH (over grab Irons).....	10'-2 1/4"
WEIGHT OF 2,120 GALLONS OF FUEL OIL.....	17,000	LBS.	Width over end sills.....	9'-10"
WEIGHT OF TENDER, LOADED.....	125,300	LBS.		
JOURNAL PRESSURE IN POUNDS PER SQUARE INCH OF PROJECTED AREA.....				

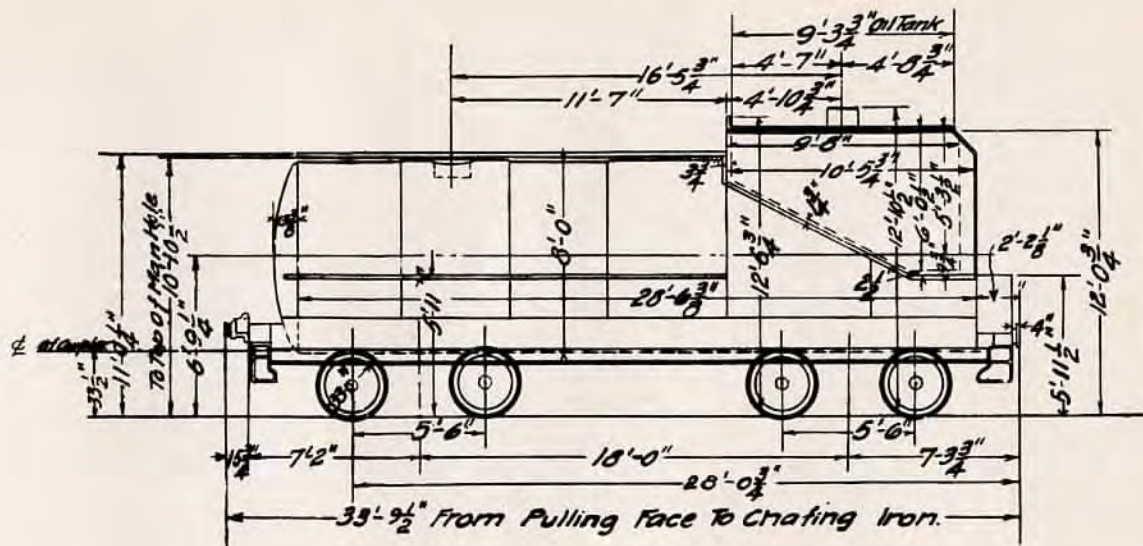


DIMENSIONS AND WEIGHTS FOR LOADED TENDER.

CAPACITY OF OIL TANK.....	2,085	GALS.	SIZE OF TRUCK JOURNAL.....	5 1/2" X 10"
GALLONS OF OIL TO MARKER BAR.....	1,944	GALS.	WEIGHT OF TRUCK.....	7,830 LBS.
CAPACITY OF WATER TANK.....	7,000	GALS.	WIDTH OVER FRONT STEPS.....	9'-6"
WEIGHT OF TENDER, EMPTY.....	50,020	LBS.	WIDTH OVER BACK STEPS.....	8'-9"
WEIGHT OF 7,000 GALLONS OF WATER.....	58,300	LBS.	EXTREME WIDTH... (over grab irons).....	10'-4"
WEIGHT OF 1,944 GALLONS OF FUEL OIL.....	15,550	LBS.	Width over end sills.....	9'-10"
WEIGHT OF TENDER, LOADED.....	123,870	LBS.		
JOURNAL PRESSURE IN POUNDS PER SQUARE INCH OF PROJECTED AREA.....				







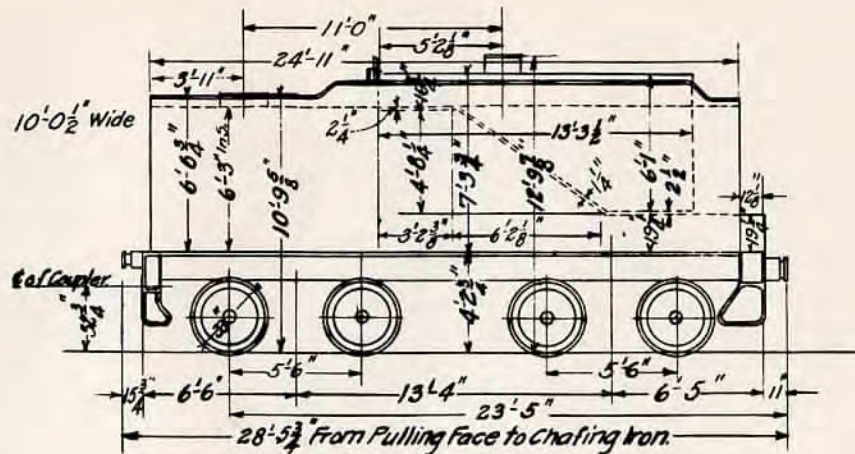
## DIMENSIONS AND WEIGHTS FOR LOADED TENDER.

CAPACITY OF OIL TANK.....	2,940	GALS.	SIZE OF TRUCK JOURNAL.....	6" X 11"	
GALLONS OF OIL TO MARKER BAR.....		GALS.	WEIGHT OF TRUCK.....	8,580	LBS.
CAPACITY OF WATER TANK.....	9,000	GALS.	WIDTH OVER FRONT STEPS.....	9'-6"	
WEIGHT OF TENDER, EMPTY.....	57,600	LBS.	WIDTH OVER BACK STEPS.....	10'-2 1/2"	
WEIGHT OF 9,000 GALLONS OF WATER.....	75,000	LBS.	EXTREME WIDTH... (over back steps).....	10'-2 1/2"	
WEIGHT OF 2,940 GALLONS OF FUEL OIL.....	23,500	LBS.	Width over end sills.....	9'-10"	
WEIGHT OF TENDER, LOADED.....	156,100	LBS.	Height-Top of rail to center of gravity.....	6'-0 3/4"	
JOURNAL PRESSURE IN POUNDS PER SQUARE INCH OF PROJECTED AREA.....					



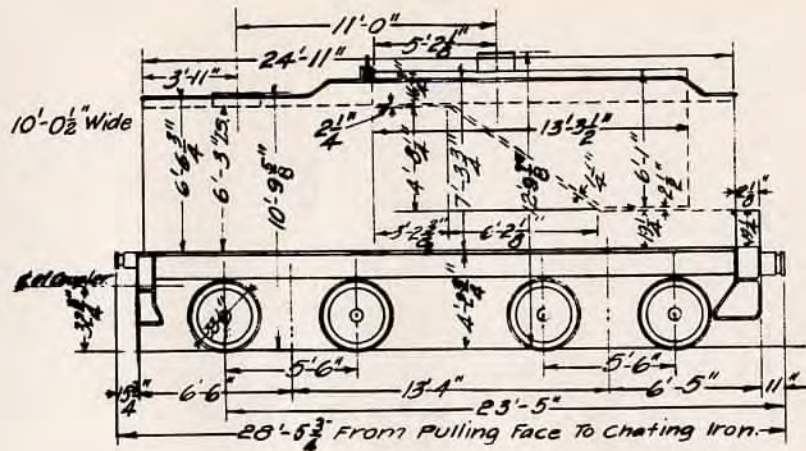
**DIMENSIONS AND WEIGHTS FOR LOADED TENDER.**

CAPACITY OF OIL TANK.....	2,940 GALS.	SIZE OF TRUCK JOURNAL.....	6" x 11"
GALLONS OF OIL TO MARKER BAR.....	GALS.	WEIGHT OF TRUCK.....	8580 LBS.
CAPACITY OF WATER TANK.....	9,000 GALS.	WIDTH OVER FRONT STEPS.....	9'-6"
WEIGHT OF TENDER, EMPTY.....	62,300 LBS.	WIDTH OVER BACK STEPS.....	10'-2 1/2"
WEIGHT OF 9000 GALLONS OF WATER.....	75,000 LBS.	EXTREME WIDTH (over back steps).....	10'-2 1/2"
WEIGHT OF 2,940 GALLONS OF FUEL OIL.....	23,500 LBS.	Width over end sills.....	9'-10 1/4"
WEIGHT OF TENDER, LOADED.....	160,800 LBS.	Height-Top of rail to center of gravity.....	6'-0 1/4"
JOURNAL PRESSURE IN POUNDS PER SQUARE INCH OF PROJECTED AREA.....			



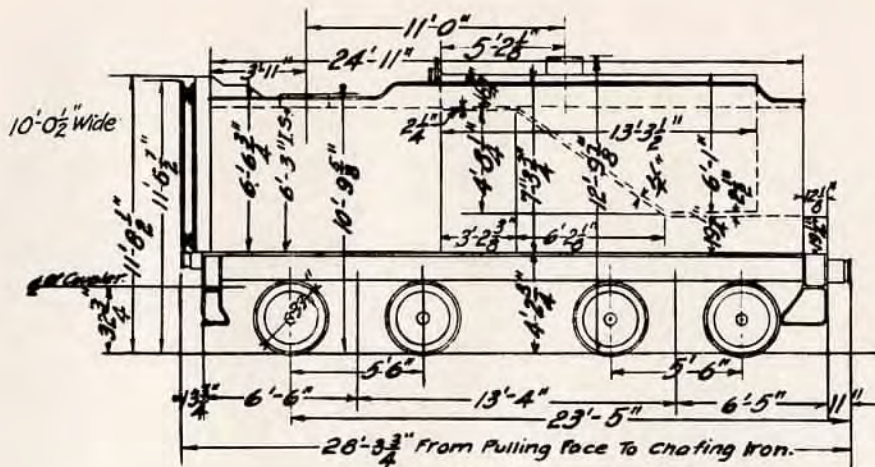
**DIMENSIONS AND WEIGHTS FOR LOADED TENDER.**

CAPACITY OF OIL TANK.....	2,850	GALS.	SIZE OF TRUCK JOURNAL.....	6" x 11"
GALLONS OF OIL TO MARKER BAR.....		GALS.	WEIGHT OF TRUCK.....	8580 LBS.
CAPACITY OF WATER TANK.....	9,000	GALS.	WIDTH OVER FRONT STEPS.....	10'-2"
WEIGHT OF TENDER, EMPTY.....	70,600	LBS.	WIDTH OVER BACK STEPS.....	10'-2"
WEIGHT OF 9,000 GALLONS OF WATER.....	75,000	LBS.	EXTREME WIDTH..... (over steps)	10'-2"
WEIGHT OF 2,850 GALLONS OF FUEL OIL.....	22,800	LBS.	Width over end sills.....	9'-4"
WEIGHT OF TENDER, LOADED.....	168,400	LBS.		
JOURNAL PRESSURE IN POUNDS PER SQUARE INCH OF PROJECTED AREA.....				



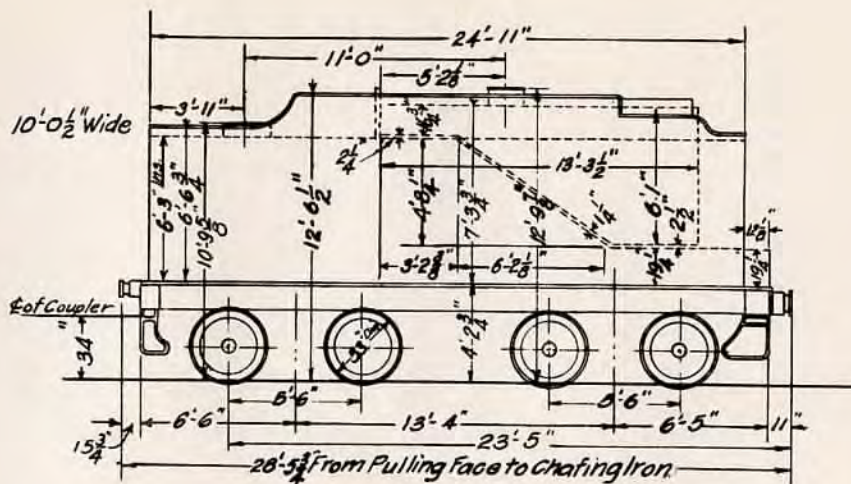
## DIMENSIONS AND WEIGHTS FOR LOADED TENDER.

CAPACITY OF OIL TANK.....	3,114	GALS.	SIZE OF TRUCK JOURNAL.....	6"X11"
GALLONS OF OIL TO MARKER BAR.....		GALS.	WEIGHT OF TRUCK.....	8580 LBS.
CAPACITY OF WATER TANK.....	9,000	GALS.	WIDTH OVER FRONT STEPS.....	10'-2"
WEIGHT OF TENDER, EMPTY.....	70,600	LBS.	WIDTH OVER BACK STEPS.....	10'-2"
WEIGHT OF 9,000 GALLONS OF WATER.....	75,000	LBS.	EXTREME WIDTH..... (over steps)	10'-2"
WEIGHT OF 3,114 GALLONS OF FUEL OIL.....	24,900	LBS.	Width over end sills.....	9'-4"
WEIGHT OF TENDER, LOADED.....	171,000	LBS.		
JOURNAL PRESSURE IN POUNDS PER SQUARE INCH OF PROJECTED AREA.....				



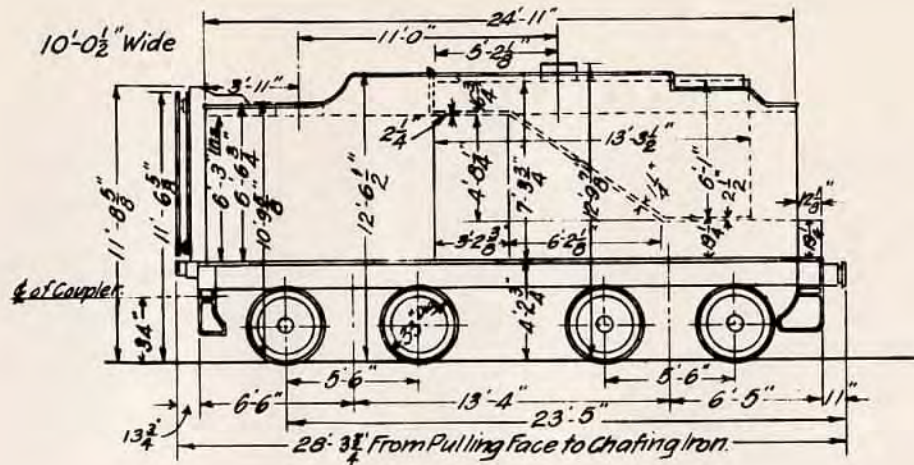
DIMENSIONS AND WEIGHTS FOR LOADED TENDER.

CAPACITY OF OIL TANK.....	2,850	GALS.	SIZE OF TRUCK JOURNAL.....	6" X 11"	
GALLONS OF OIL TO MARKER BAR.....		GALS.	WEIGHT OF TRUCK.....	8580	LBS.
CAPACITY OF WATER TANK.....	9,000	GALS.	WIDTH OVER FRONT STEPS.....	10'-2"	
WEIGHT OF TENDER, EMPTY.....	73,400	LBS.	WIDTH OVER BACK STEPS.....	10'-2"	
WEIGHT OF 9,000 GALLONS OF WATER..	75,000	LBS.	EXTREME WIDTH..... (over steps)	10'-2"	
WEIGHT OF 2,850 GALLONS OF FUEL OIL	22,800	LBS.	Width over end sills.....	9'-4"	
WEIGHT OF TENDER, LOADED.....	171,200	LBS.			
JOURNAL PRESSURE IN POUNDS PER SQUARE INCH OF PROJECTED AREA.....					



## DIMENSIONS AND WEIGHTS FOR LOADED TENDER.

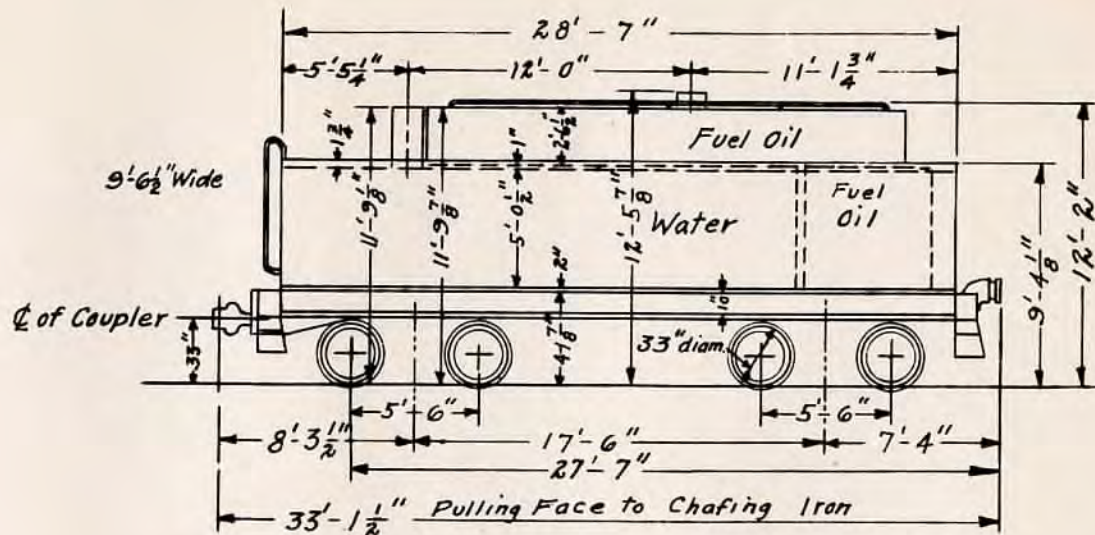
CAPACITY OF OIL TANK.....	2,850	GALS.	SIZE OF TRUCK JOURNAL.....	6" X 11"	
GALLONS OF OIL TO MARKER BAR.....		GALS.	WEIGHT OF TRUCK.....	8580	LBS.
CAPACITY OF WATER TANK.....	9,000	GALS.	WIDTH OVER FRONT STEPS.....	10'-2"	
WEIGHT OF TENDER, EMPTY.....	71,100	LBS.	WIDTH OVER BACK STEPS.....	10'-2"	
WEIGHT OF 9,000 GALLONS OF WATER.....	75,000	LBS.	EXTREME WIDTH (over steps).....	10'-2"	
WEIGHT OF 2,850 GALLONS OF FUEL OIL.....	22,800	LBS.	Width over end sills.....	9'-4"	
WEIGHT OF TENDER, LOADED.....	168,900	LBS.			
JOURNAL PRESSURE IN POUNDS PER SQUARE INCH OF PROJECTED AREA.....					



**DIMENSIONS AND WEIGHTS FOR LOADED TENDER.**

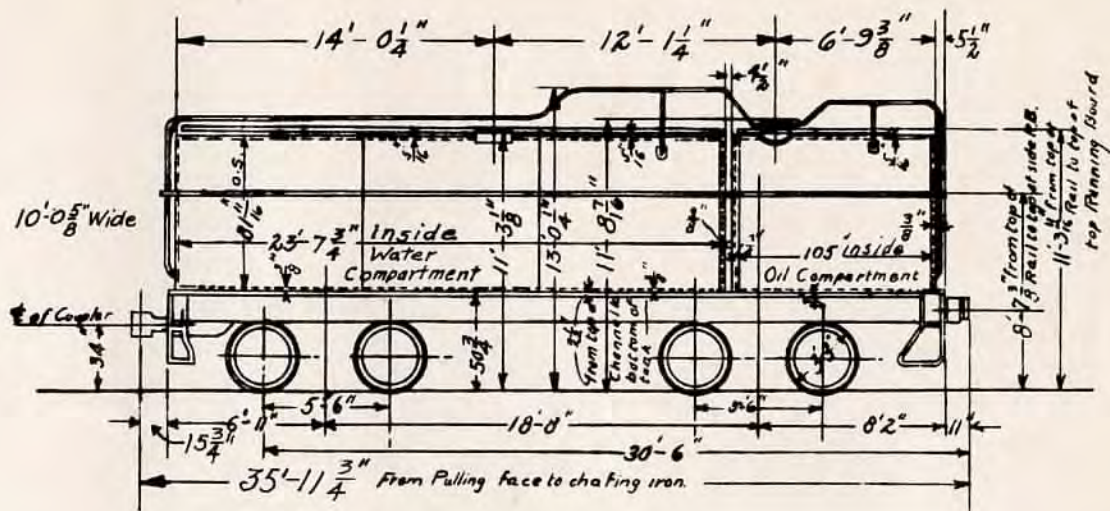
CAPACITY OF OIL TANK.....	2,850	GALS.	SIZE OF TRUCK JOURNAL.....	6" x 11"	
GALLONS OF OIL TO MARKER BAR.....		GALS.	WEIGHT OF TRUCK.....	8580	LBS.
CAPACITY OF WATER TANK.....	9,000	GALS.	WIDTH OVER FRONT STEPS.....	10'-2"	
WEIGHT OF TENDER, EMPTY.....	73,900	LBS.	WIDTH OVER BACK STEPS.....	10'-2"	
WEIGHT OF 9,000 GALLONS OF WATER.....	75,000	LBS.	EXTREME WIDTH..... (over Steps)	10'-2"	
WEIGHT OF 2,850 GALLONS OF FUEL OIL.....	22,800	LBS.	Width over end sills.....	9'-4"	
WEIGHT OF TENDER, LOADED.....	171,700	LBS.			
JOURNAL PRESSURE IN POUNDS PER SQUARE INCH OF PROJECTED AREA.....					





DIMENSIONS AND WEIGHTS FOR LOADED TENDER.

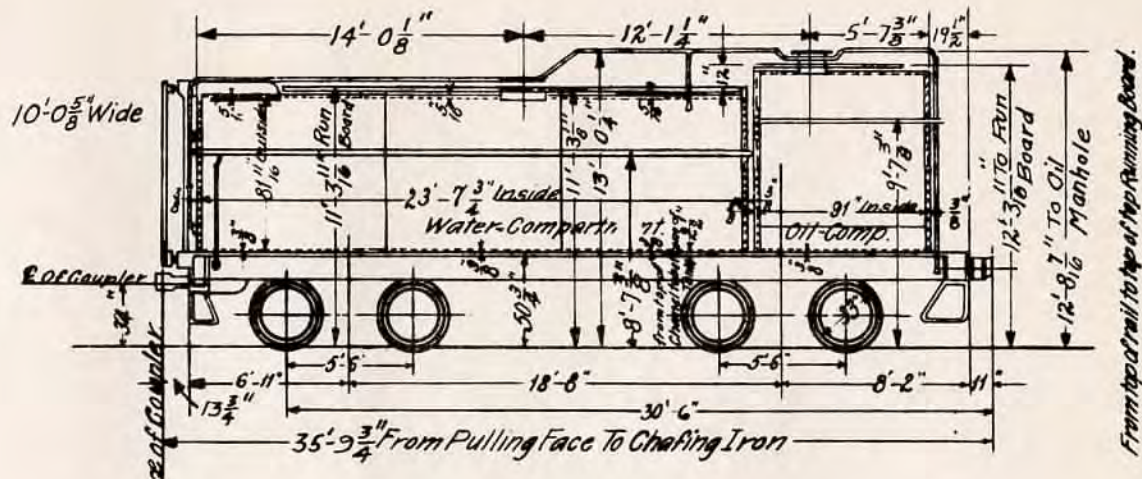
CAPACITY OF OIL TANK.....	3,018	GALS.	SIZE OF TRUCK JOURNAL.....	6" X 11"	
GALLONS OF OIL TO MARKER BAR.....	2,792	GALS.	WEIGHT OF TRUCK.....	8580	LBS.
CAPACITY OF WATER TANK.....	8,828	GALS.	WIDTH OVER FRONT STEPS.....	10'-1"	
WEIGHT OF TENDER, EMPTY.....	66,500	LBS.	WIDTH OVER BACK STEPS.....	10'-1"	
WEIGHT OF 8,828 GALLONS OF WATER.....	73,550	LBS.	EXTREME WIDTH (over Steps).....	10'-1"	
WEIGHT OF 2,792 GALLONS OF FUEL OIL.....	22,350	LBS.	Width over end sills.....	9'-2"	
WEIGHT OF TENDER, LOADED.....	162,400	LBS.			
JOURNAL PRESSURE IN POUNDS PER SQUARE INCH OF PROJECTED AREA.....					



DIMENSIONS AND WEIGHTS FOR LOADED TENDER.

CAPACITY OF OIL TANK.....	3,610	GALS.	SIZE OF TRUCK JOURNAL.....	6" x 11"
GALLONS OF OIL TO MARKER BAR.....		GALS.	WEIGHT OF TRUCK.....	8580 LBS.
CAPACITY OF WATER TANK.....	9816	GALS.	WIDTH OVER FRONT STEPS.....	10'-2"
WEIGHT OF TENDER, EMPTY.....	78,500	LBS.	WIDTH OVER BACK STEPS.....	10'-2"
WEIGHT OF 9816 GALLONS OF WATER.....	81,800	LBS.	EXTREME WIDTH..... (over steps)	10'-2"
WEIGHT OF 3,610 GALLONS OF FUEL OIL.....	28,880	LBS.	Width over end sills.....	9'-4"
WEIGHT OF TENDER, LOADED.....	189,180	LBS.		
JOURNAL PRESSURE IN POUNDS PER SQUARE INCH OF PROJECTED AREA.....				

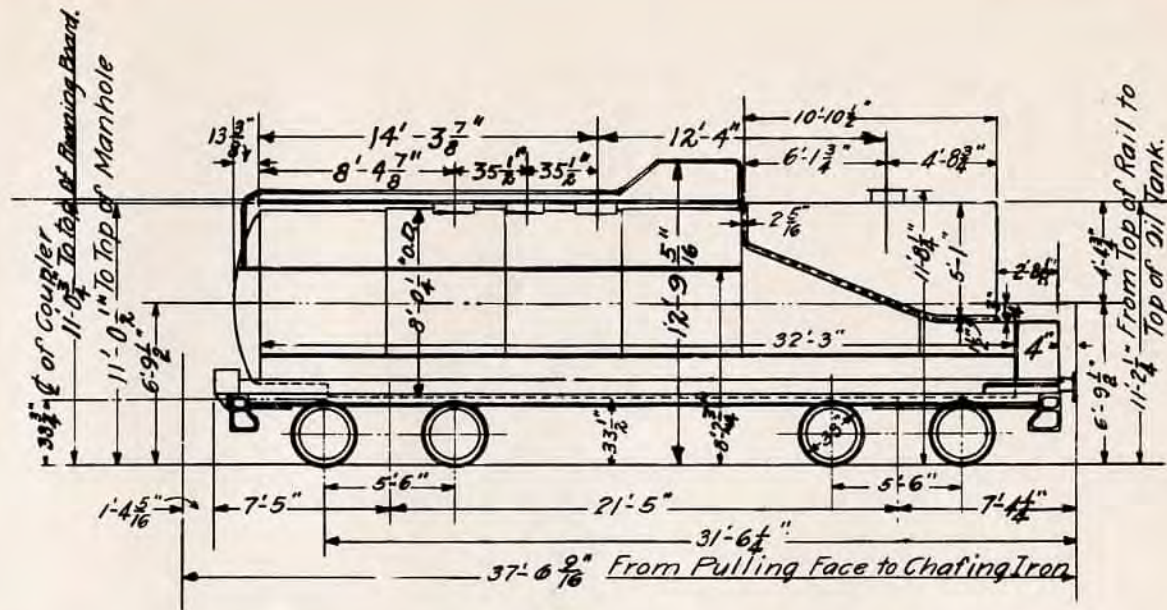




## DIMENSIONS AND WEIGHTS FOR LOADED TENDER.

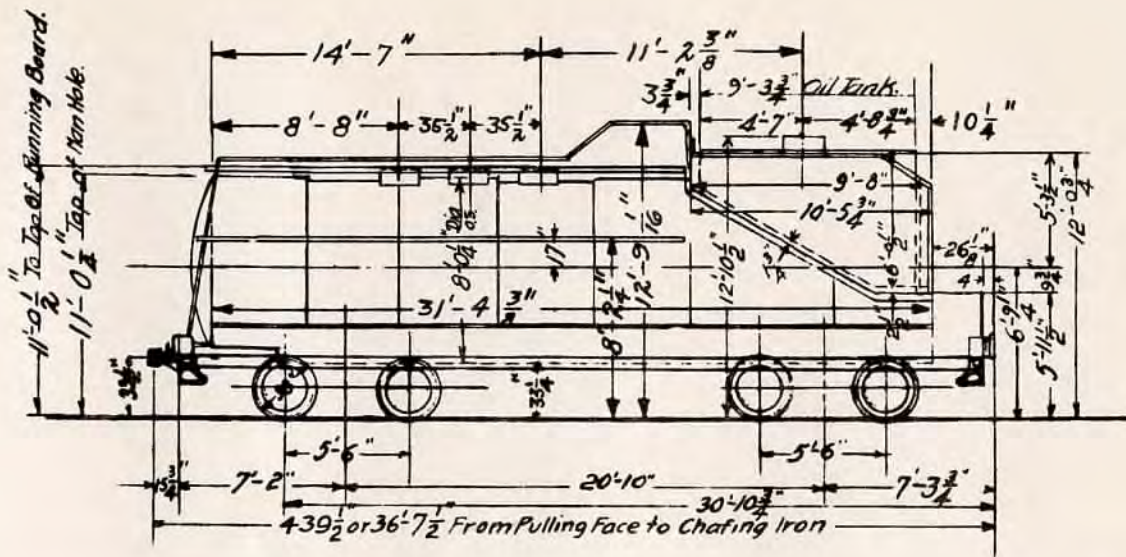
CAPACITY OF OIL TANK.....	3,835	GALS.	SIZE OF TRUCK JOURNAL.....	6" X 11"	
GALLONS OF OIL TO MARKER BAR.....		GALS.	WEIGHT OF TRUCK.....	8580	LBS.
CAPACITY OF WATER TANK.....	9,816	GALS.	WIDTH OVER FRONT STEPS.....	10'-2"	
WEIGHT OF TENDER, EMPTY.....	83,720	LBS.	WIDTH OVER BACK STEPS.....	10'-2"	
WEIGHT OF 9,816 GALLONS OF WATER.....	81,800	LBS.	EXTREME WIDTH (over steps).....	10'-2"	
WEIGHT OF 3,835 GALLONS OF FUEL OIL.....	30,680	LBS.	Width over end sills.....	9'-4"	
WEIGHT OF TENDER, LOADED.....	196,200	LBS.			
JOURNAL PRESSURE IN POUNDS PER SQUARE INCH OF PROJECTED AREA.....					





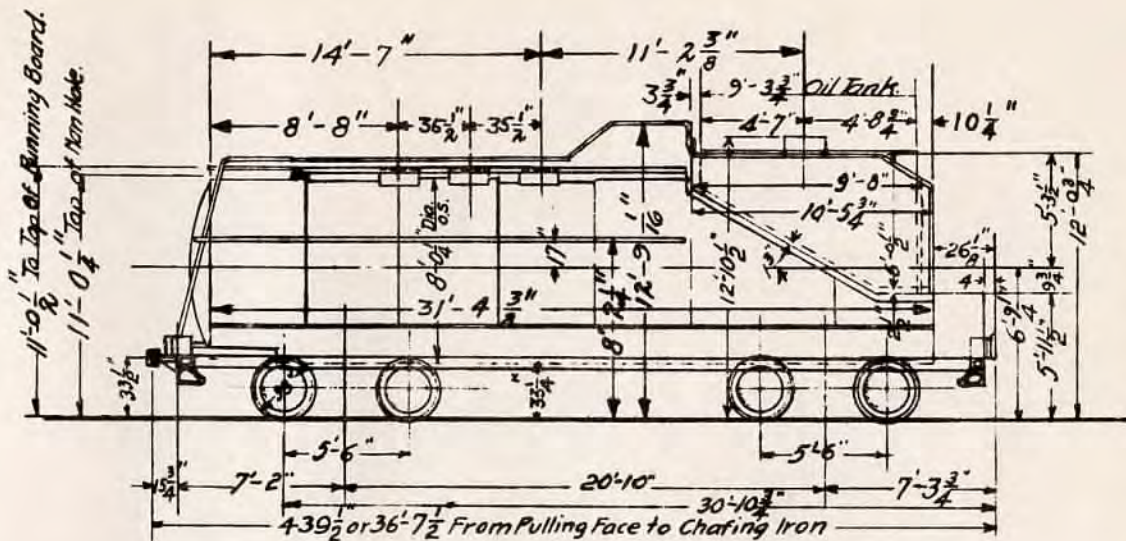
DIMENSIONS AND WEIGHTS FOR LOADED TENDER.

CAPACITY OF OIL TANK.....	3,100	GALS.	SIZE OF TRUCK JOURNAL.....	6" X 11"	
GALLONS OF OIL TO MARKER BAR.....		GALS.	WEIGHT OF TRUCK.....	8580	LBS.
CAPACITY OF WATER TANK.....	9960	GALS.	WIDTH OVER FRONT STEPS.....	9'-6"	
WEIGHT OF TENDER, EMPTY.....	66,100	LBS.	WIDTH OVER BACK STEPS.....	10'-2 1/2"	
WEIGHT OF 9,960 GALLONS OF WATER..	83,000	LBS.	EXTREME WIDTH..... (over back steps)	10'-2 1/2"	
WEIGHT OF 3,100 GALLONS OF FUEL OIL	24,800	LBS.	Width over end sills.....	9'-10"	
WEIGHT OF TENDER, LOADED.....	173,900	LBS.			
JOURNAL PRESSURE IN POUNDS PER SQUARE INCH OF PROJECTED AREA.....					



**DIMENSIONS AND WEIGHTS FOR LOADED TENDER.**

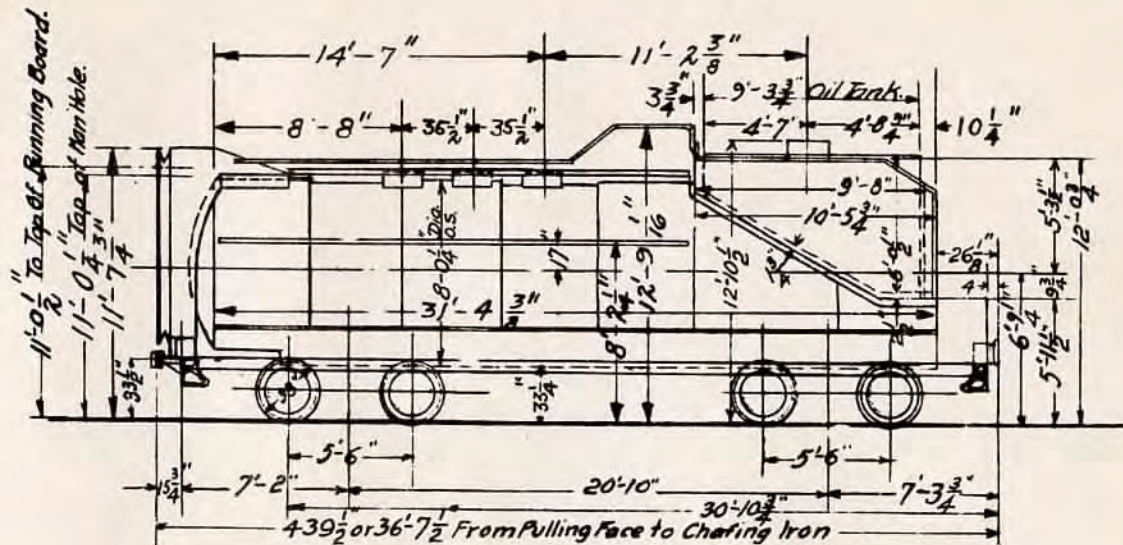
CAPACITY OF OIL TANK.....	2,940	GALS.	SIZE OF TRUCK JOURNAL.....	6" X 11"
GALLONS OF OIL TO MARKER BAR.....		GALS.	WEIGHT OF TRUCK.....	8580 LBS.
CAPACITY OF WATER TANK.....	10,060	GALS.	WIDTH OVER FRONT STEPS.....	9'-6"
WEIGHT OF TENDER, EMPTY.....	67,000	LBS.	WIDTH OVER BACK STEPS.....	10'-2 1/2"
WEIGHT OF 10,060 GALLONS OF WATER.....	83,800	LBS.	EXTREME WIDTH..... (over back steps)	10'-2 1/2"
WEIGHT OF 2,940 GALLONS OF FUEL OIL.....	23,500	LBS.	Width over end sills.....	9'-10"
WEIGHT OF TENDER, LOADED.....	174,300	LBS.		
JOURNAL PRESSURE IN POUNDS PER SQUARE INCH OF PROJECTED AREA.....				



DIMENSIONS AND WEIGHTS FOR LOADED TENDER.

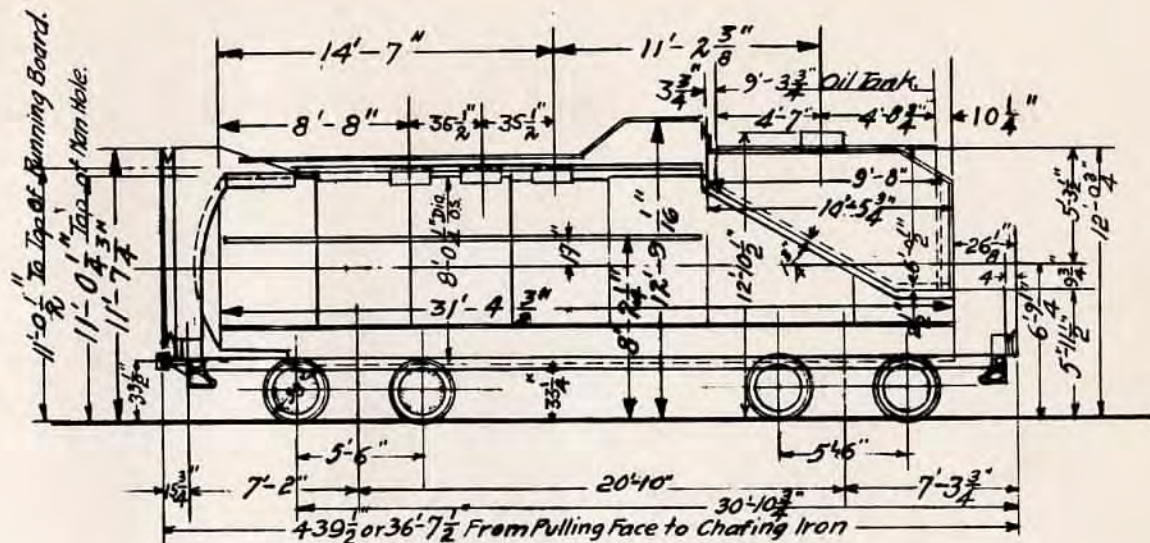
CAPACITY OF OIL TANK.....	2,940	GALS.	SIZE OF TRUCK JOURNAL.....	6" x 11"
GALLONS OF OIL TO MARKER BAR.....		GALS.	WEIGHT OF TRUCK.....	8580 LBS.
CAPACITY OF WATER TANK.....	10,060	GALS.	WIDTH OVER FRONT STEPS.....	9'-6"
WEIGHT OF TENDER, EMPTY.....	67,000	LBS.	WIDTH OVER BACK STEPS.....	10'-2 1/2"
WEIGHT OF 10,060 GALLONS OF WATER.....	83,800	LBS.	EXTREME WIDTH..... (over back steps)	10'-2 1/2"
WEIGHT OF 2,940 GALLONS OF FUEL OIL.....	23,500	LBS.	Width over end sills.....	9'-10"
WEIGHT OF TENDER, LOADED.....	174,300	LBS.		
JOURNAL PRESSURE IN POUNDS PER SQUARE INCH OF PROJECTED AREA.....				





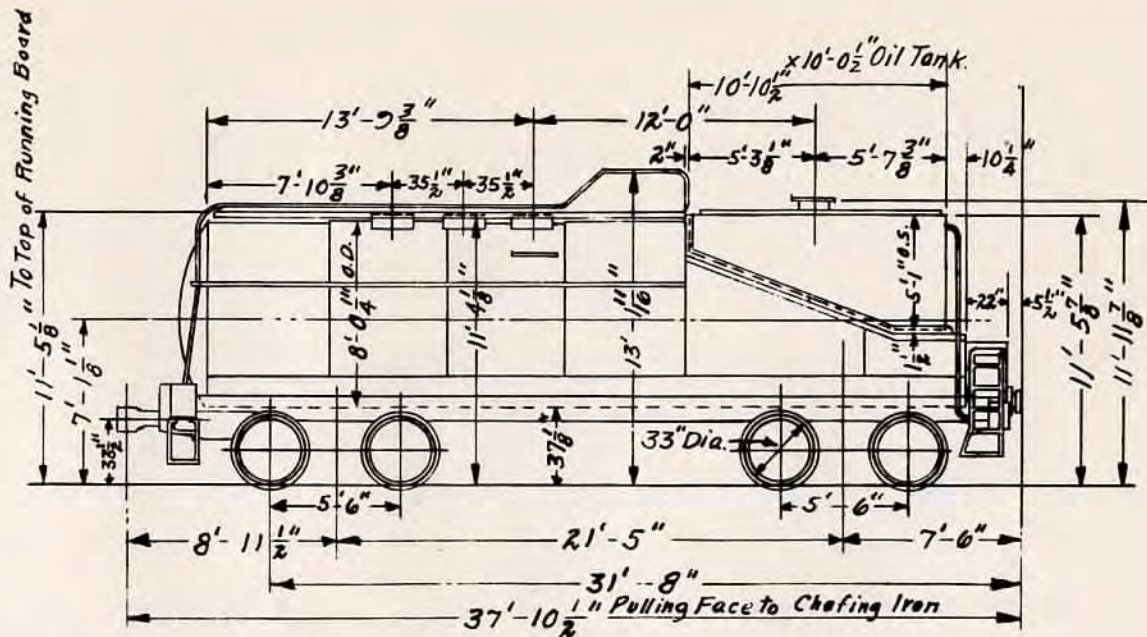
**DIMENSIONS AND WEIGHTS FOR LOADED TENDER.**

CAPACITY OF OIL TANK.....	2,940	GALS.	SIZE OF TRUCK JOURNAL.....	6" X 11"
GALLONS OF OIL TO MARKER BAR.....		GALS.	WEIGHT OF TRUCK.....	8580 LBS.
CAPACITY OF WATER TANK.....	10,060	GALS.	WIDTH OVER FRONT STEPS.....	9'-6"
WEIGHT OF TENDER, EMPTY.....	71,700	LBS.	WIDTH OVER BACK STEPS.....	10'-2 1/2"
WEIGHT OF 10,060 GALLONS OF WATER.....	83,800	LBS.	EXTREME WIDTH..... (over back steps)	10'-2 1/2"
WEIGHT OF 2,940 GALLONS OF FUEL OIL.....	23,500	LBS.	width over end sills.....	9'-10"
WEIGHT OF TENDER, LOADED.....	179,000	LBS.		
JOURNAL PRESSURE IN POUNDS PER SQUARE INCH OF PROJECTED AREA.....				



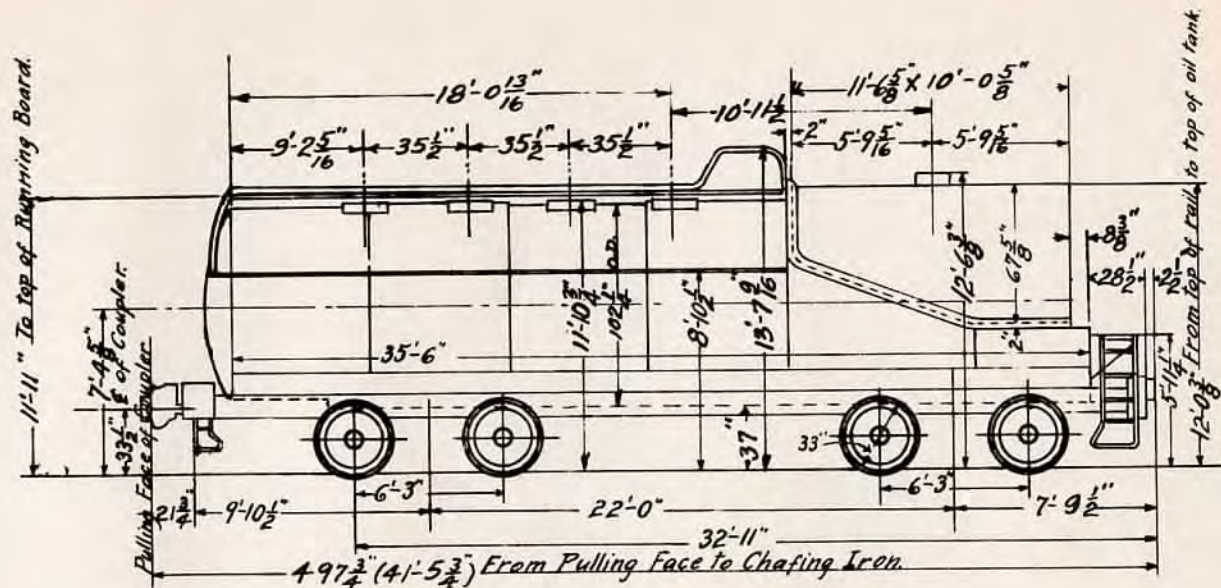
DIMENSIONS AND WEIGHTS FOR LOADED TENDER.

CAPACITY OF OIL TANK.....	2940 GALS.	SIZE OF TRUCK JOURNAL.....	6" X 11"
GALLONS OF OIL TO MARKER BAR.....	GALS.	WEIGHT OF TRUCK.....	8580 LBS.
CAPACITY OF WATER TANK.....	10,060 GALS.	WIDTH OVER FRONT STEPS.....	9'-6"
WEIGHT OF TENDER, EMPTY.....	71,700 LBS.	WIDTH OVER BACK STEPS.....	10'-2 $\frac{1}{2}$ "
WEIGHT OF 10,060 GALLONS OF WATER.....	83,800 LBS.	EXTREME WIDTH (over back steps).....	10'-2 $\frac{1}{2}$ "
WEIGHT OF 2,940 GALLONS OF FUEL OIL.....	23,500 LBS.	Width over end sills.....	9'-10"
WEIGHT OF TENDER, LOADED.....	179,000 LBS.		
JOURNAL PRESSURE IN POUNDS PER SQUARE INCH OF PROJECTED AREA.....			



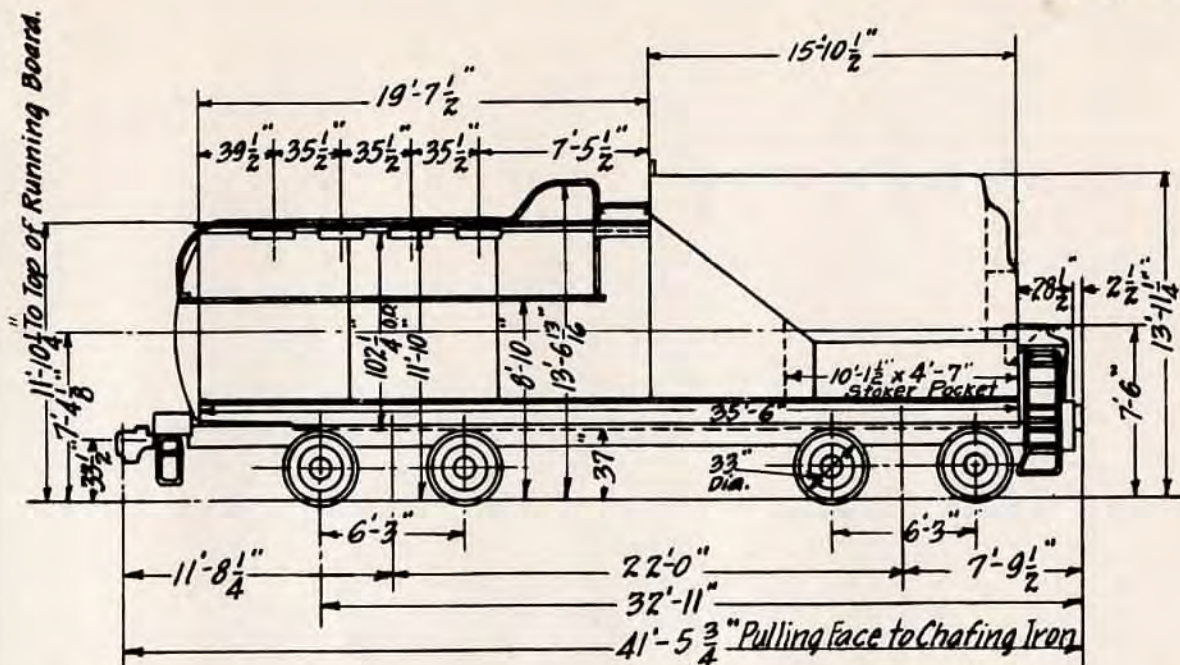
DIMENSIONS AND WEIGHTS FOR LOADED TENDER.

CAPACITY OF OIL TANK.....	30,60	GALS.	SIZE OF TRUCK JOURNAL.....	6" X 11"	
GALLONS OF OIL TO MARKER BAR.....		GALS.	WEIGHT OF TRUCK.....	8580	LBS.
CAPACITY OF WATER TANK.....	10,000	GALS.	WIDTH OVER FRONT STEPS.....	120 1/2"	
WEIGHT OF TENDER, EMPTY.....	72,500	LBS.	WIDTH OVER BACK STEPS.....	118"	
WEIGHT OF 10,000 GALLONS OF WATER.....	83,300	LBS.	EXTREME WIDTH..... (over front steps)	120 1/2"	
WEIGHT OF 3,060 GALLONS OF FUEL OIL.....	24,500	LBS.	Width over end sills.....	118"	
WEIGHT OF TENDER, LOADED.....	180,300	LBS.			
JOURNAL PRESSURE IN POUNDS PER SQUARE INCH OF PROJECTED AREA.....					



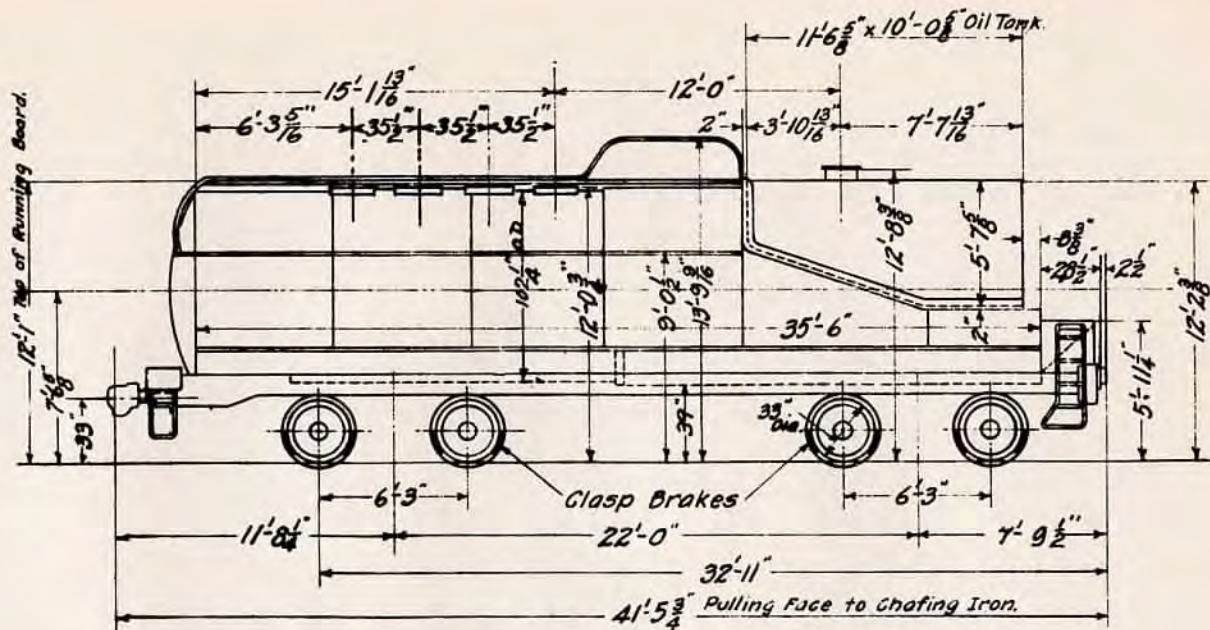
DIMENSIONS AND WEIGHTS FOR LOADED TENDER.

CAPACITY OF OIL TANK.....	4,000	GALS.	SIZE OF TRUCK JOURNAL.....	6 1/2" x 12"
GALLONS OF OIL TO MARKER BAR.....		GALS.	WEIGHT OF TRUCK.....	LBS.
CAPACITY OF WATER TANK.....	12,000	GALS.	WIDTH OVER FRONT STEPS.....	120 1/2"
WEIGHT OF TENDER, EMPTY.....	89,900	LBS.	WIDTH OVER BACK STEPS.....	130 1/2"
WEIGHT OF 12,000 GALLONS OF WATER.....	100,000	LBS.	EXTREME WIDTH..... (over back steps)	130 1/2"
WEIGHT OF 4,000 GALLONS OF FUEL OIL.....	32,000	LBS.	Width over end sills.....	118"
WEIGHT OF TENDER, LOADED.....	221,900	LBS.		
JOURNAL PRESSURE IN POUNDS PER SQUARE INCH OF PROJECTED AREA.....				



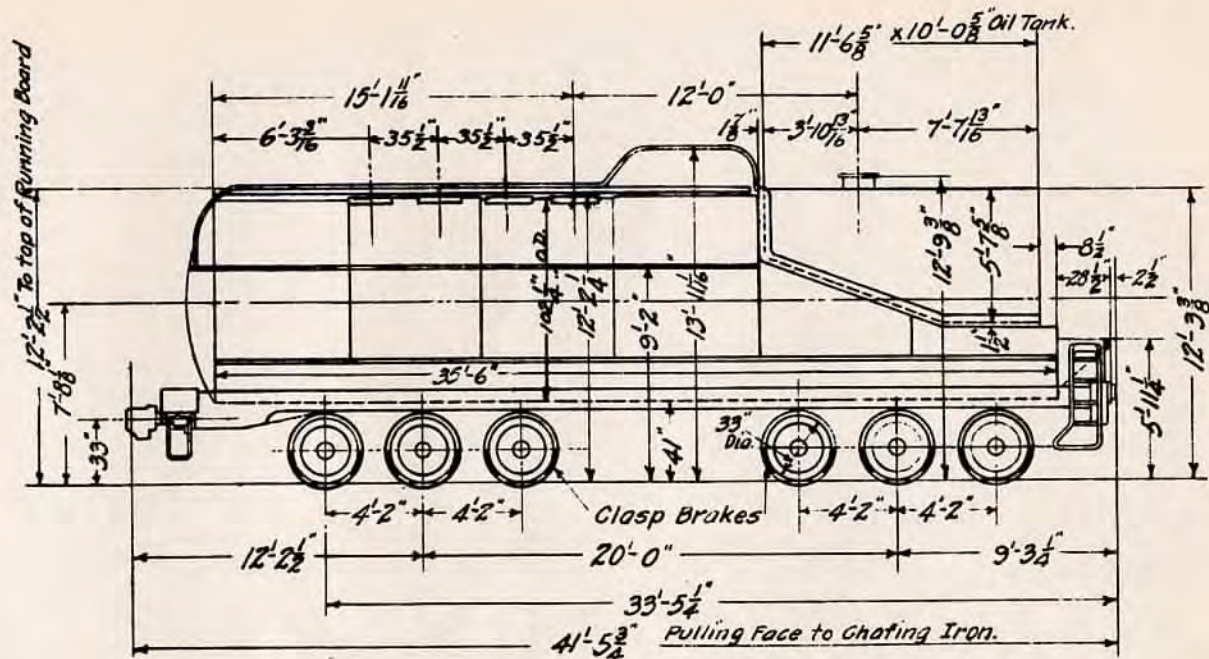
DIMENSIONS AND WEIGHTS FOR LOADED TENDER.

CAPACITY OF COAL BUNKER .....	20 TONS	SIZE OF TRUCK JOURNAL .....	6 1/2" x 12"
CAPACITY OF WATER TANK .....	11,270 GALS.	WEIGHT OF TRUCK .....	LBS.
WEIGHT OF TENDER, EMPTY .....	101,770 LBS.	WIDTH OVER FRONT STEPS .....	120 1/2"
WEIGHT OF 11,270 GALLONS OF WATER .....	93,900 LBS.	WIDTH OVER BACK STEPS .....	130 1/2"
WEIGHT OF 20 TONS OF COAL .....	40,000 LBS.	EXTREME WIDTH (over back steps) .....	130 1/2"
WEIGHT OF TENDER, LOADED .....	235,670 LBS.	Width over end sills .....	118"
JOURNAL PRESSURE IN POUNDS PER SQUARE INCH OF PROJECTED AREA .....			



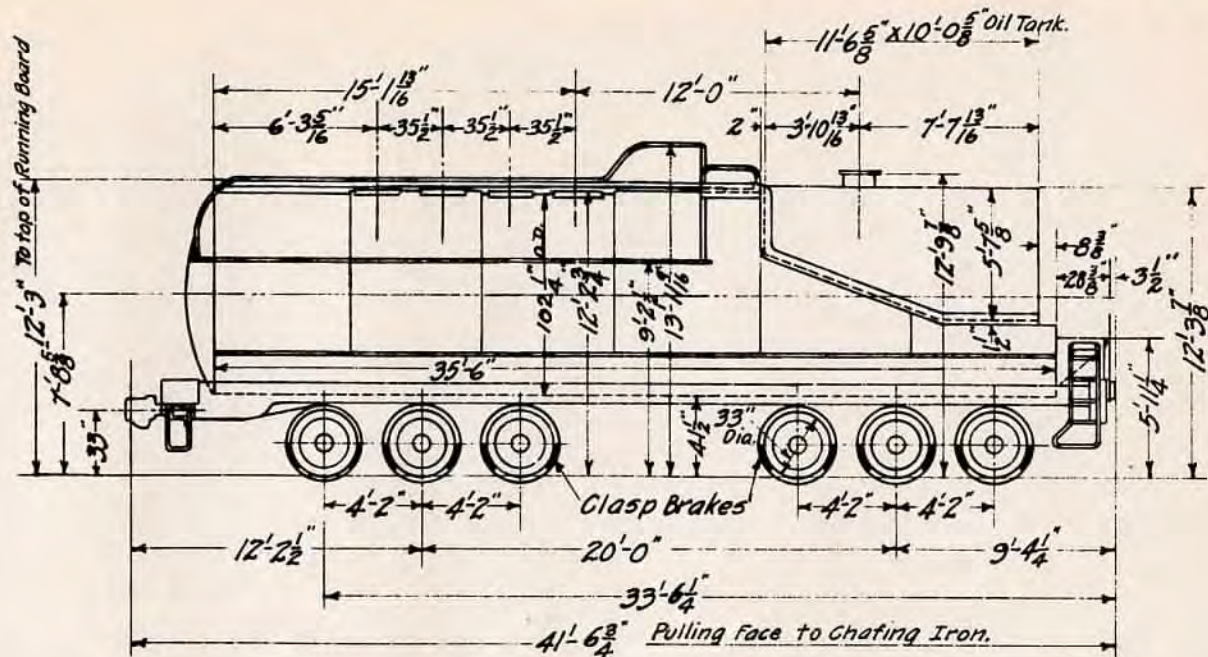
DIMENSIONS AND WEIGHTS FOR LOADED TENDER.

CAPACITY OF OIL TANK.....	4,000	GALS.	SIZE OF TRUCK JOURNAL.....	6 1/2" X 12"	
GALLONS OF OIL TO MARKER BAR.....		GALS.	WEIGHT OF TRUCK.....		LBS.
CAPACITY OF WATER TANK.....	12,000	GALS.	WIDTH OVER FRONT STEPS.....	120 1/2"	
WEIGHT OF TENDER, EMPTY.....	93,300	LBS.	WIDTH OVER BACK STEPS.....	118"	
WEIGHT OF 12,000 GALLONS OF WATER.....	100,000	LBS.	EXTREME WIDTH (over front steps).....	120 1/2"	
WEIGHT OF 4,000 GALLONS OF FUEL OIL.....	32,000	LBS.	Width over end sills.....	118"	
WEIGHT OF TENDER, LOADED.....	225,300	LBS.			
JOURNAL PRESSURE IN POUNDS PER SQUARE INCH OF PROJECTED AREA.....					



## DIMENSIONS AND WEIGHTS FOR LOADED TENDER.

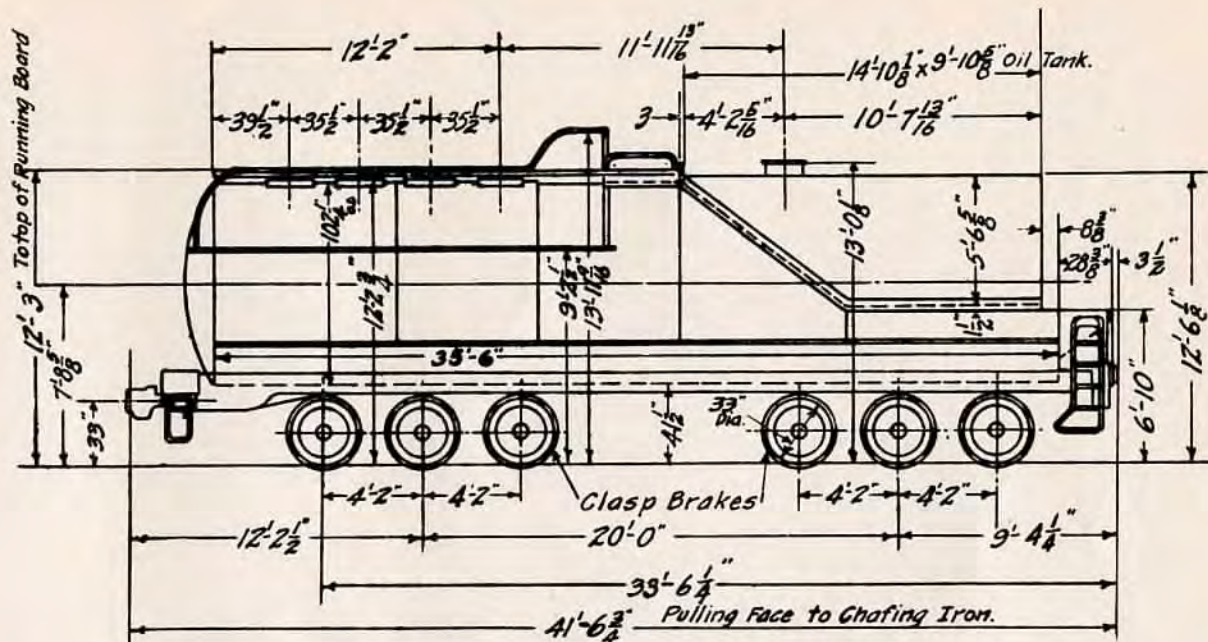
CAPACITY OF OIL TANK.....	4,000 GALS.	SIZE OF TRUCK JOURNAL.....	6" X 11"
GALLONS OF OIL TO MARKER BAR.....	GALS.	WEIGHT OF TRUCK.....	22,000 LBS.
CAPACITY OF WATER TANK.....	12,000 GALS.	WIDTH OVER FRONT STEPS.....	120 1/2"
WEIGHT OF TENDER, EMPTY.....	110,300 LBS.	WIDTH OVER BACK STEPS.....	118"
WEIGHT OF 12,000 GALLONS OF WATER.....	100,000 LBS.	EXTREME WIDTH (over front steps).....	120 1/2"
WEIGHT OF 4,000 GALLONS OF FUEL OIL.....	32,000 LBS.	Width over end sills.....	118"
WEIGHT OF TENDER, LOADED.....	242,300 LBS.		
JOURNAL PRESSURE IN POUNDS PER SQUARE INCH OF PROJECTED AREA.....			



## DIMENSIONS AND WEIGHTS FOR LOADED TENDER.

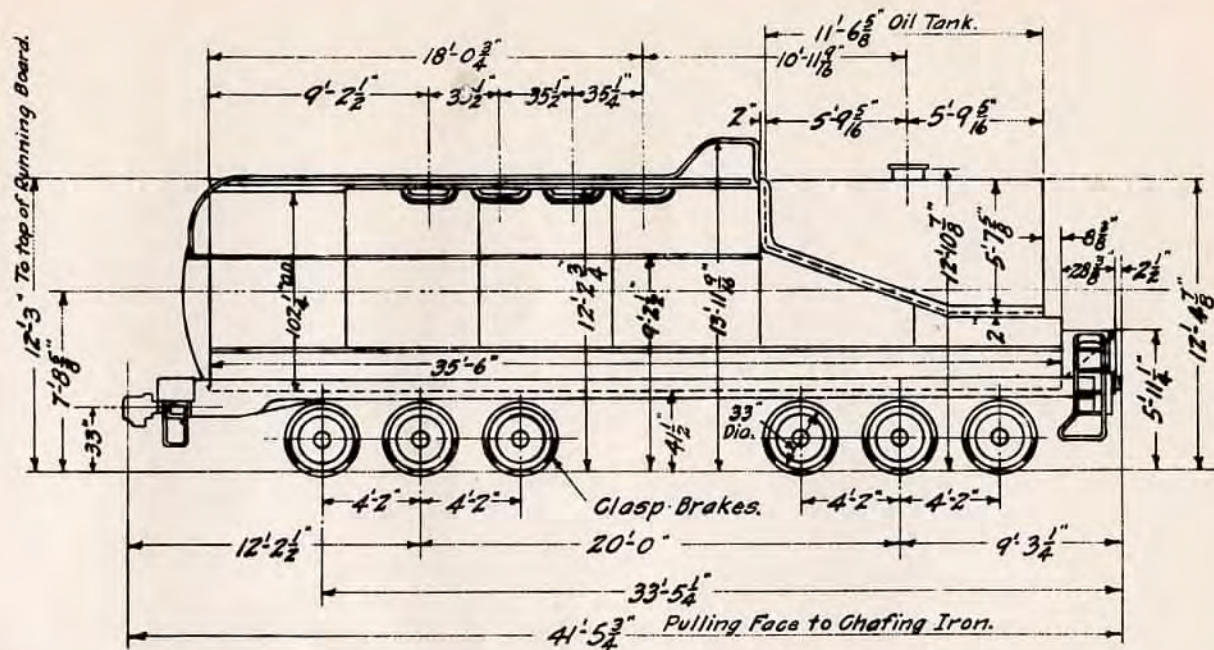
CAPACITY OF OIL TANK.....	4,000 GALS.	SIZE OF TRUCK JOURNAL.....	6" x 11"
GALLONS OF OIL TO MARKER BAR.....	3,790 GALS.	WEIGHT OF TRUCK.....	22,250 LBS.
CAPACITY OF WATER TANK.....	12,000 GALS.	WIDTH OVER FRONT STEPS.....	120 $\frac{1}{2}"$
WEIGHT OF TENDER, EMPTY.....	113,300 LBS.	WIDTH OVER BACK STEPS.....	118"
WEIGHT OF 12,000 GALLONS OF WATER.....	100,000 LBS.	EXTREME WIDTH (over front steps).....	120 $\frac{1}{2}"$
WEIGHT OF 3,790 GALLONS OF FUEL OIL.....	30,300 LBS.	Width over end sills.....	118"
WEIGHT OF TENDER, LOADED.....	243,600 LBS.		
JOURNAL PRESSURE IN POUNDS PER SQUARE INCH OF PROJECTED AREA.....			





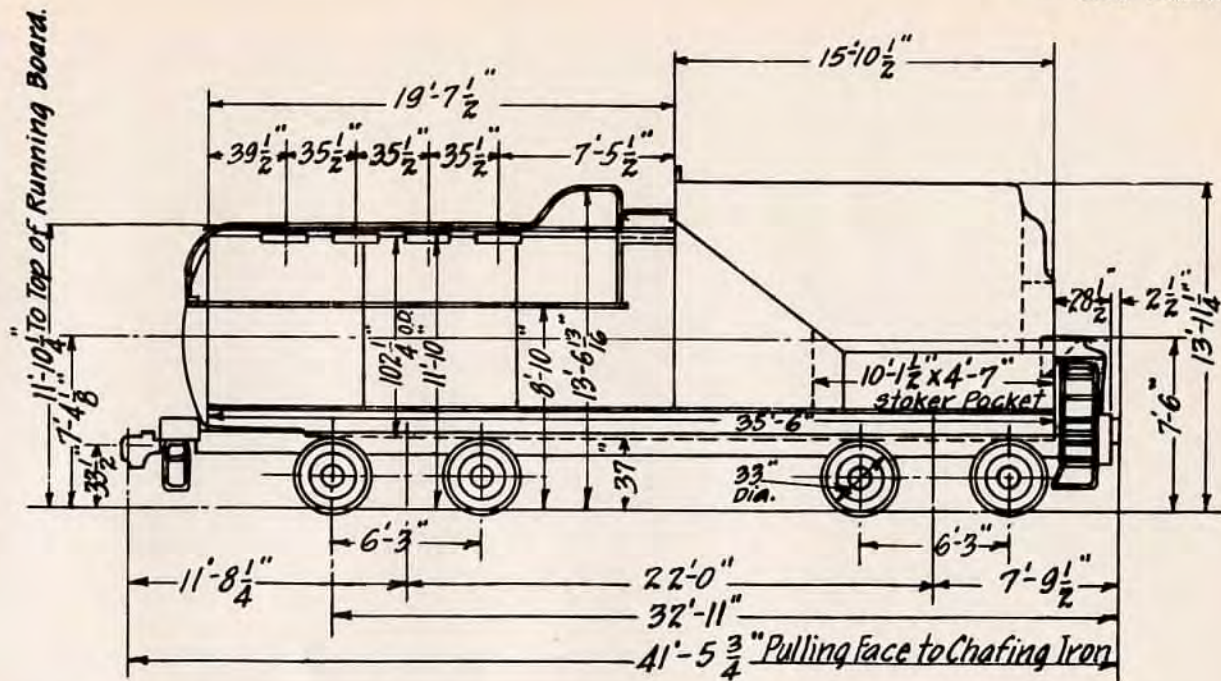
DIMENSIONS AND WEIGHTS FOR LOADED TENDER.

CAPACITY OF OIL TANK.....	4,690 GALS.	SIZE OF TRUCK JOURNAL.....	6" x 11"
GALLONS OF OIL TO MARKER BAR.....	4,433 GALS.	WEIGHT OF TRUCK.....	22,250 LBS.
CAPACITY OF WATER TANK.....	12,000 GALS.	WIDTH OVER FRONT STEPS.....	120 1/2"
WEIGHT OF TENDER, EMPTY.....	113,300 LBS.	WIDTH OVER BACK STEPS.....	118"
WEIGHT OF 12,000 GALLONS OF WATER.....	100,000 LBS.	EXTREME WIDTH (over front steps).....	120 1/2"
WEIGHT OF 4,433 GALLONS OF FUEL OIL.....	35,500 LBS.	Width over end sills.....	118"
WEIGHT OF TENDER, LOADED.....	248,800 LBS.		
JOURNAL PRESSURE IN POUNDS PER SQUARE INCH OF PROJECTED AREA.....			



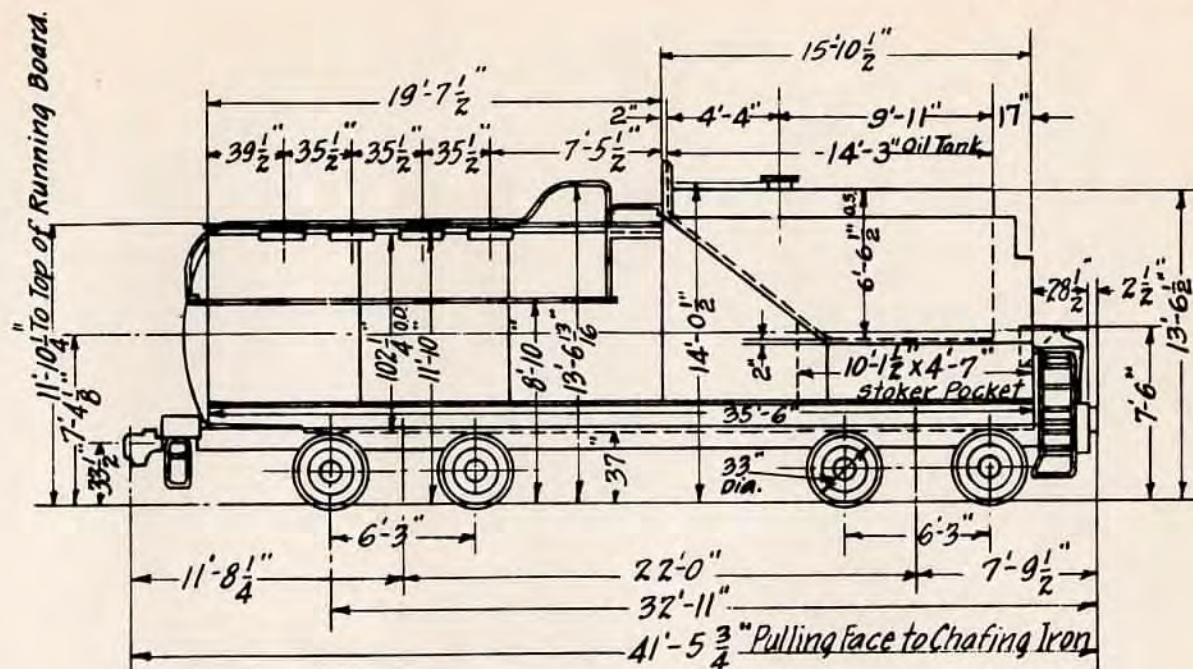
**DIMENSIONS AND WEIGHTS FOR LOADED TENDER.**

CAPACITY OF OIL TANK.....	4,000	GALS.	SIZE OF TRUCK JOURNAL.....	6"x11"
GALLONS OF OIL TO MARKER BAR.....	3,790	GALS.	WEIGHT OF TRUCK.....	22,250 LBS.
CAPACITY OF WATER TANK.....	12,000	GALS.	WIDTH OVER FRONT STEPS.....	120 <sup>1</sup> / <sub>2</sub> "
WEIGHT OF TENDER, EMPTY.....	110,800	LBS.	WIDTH OVER BACK STEPS.....	118"
WEIGHT OF 12,000 GALLONS OF WATER.....	100,000	LBS.	EXTREME WIDTH (over front steps).....	120 <sup>1</sup> / <sub>2</sub> "
WEIGHT OF 3,790 GALLONS OF FUEL OIL.....	30,300	LBS.	Width over end sills.....	118"
WEIGHT OF TENDER, LOADED.....	241,100	LBS.		
JOURNAL PRESSURE IN POUNDS PER SQUARE INCH OF PROJECTED AREA.....				



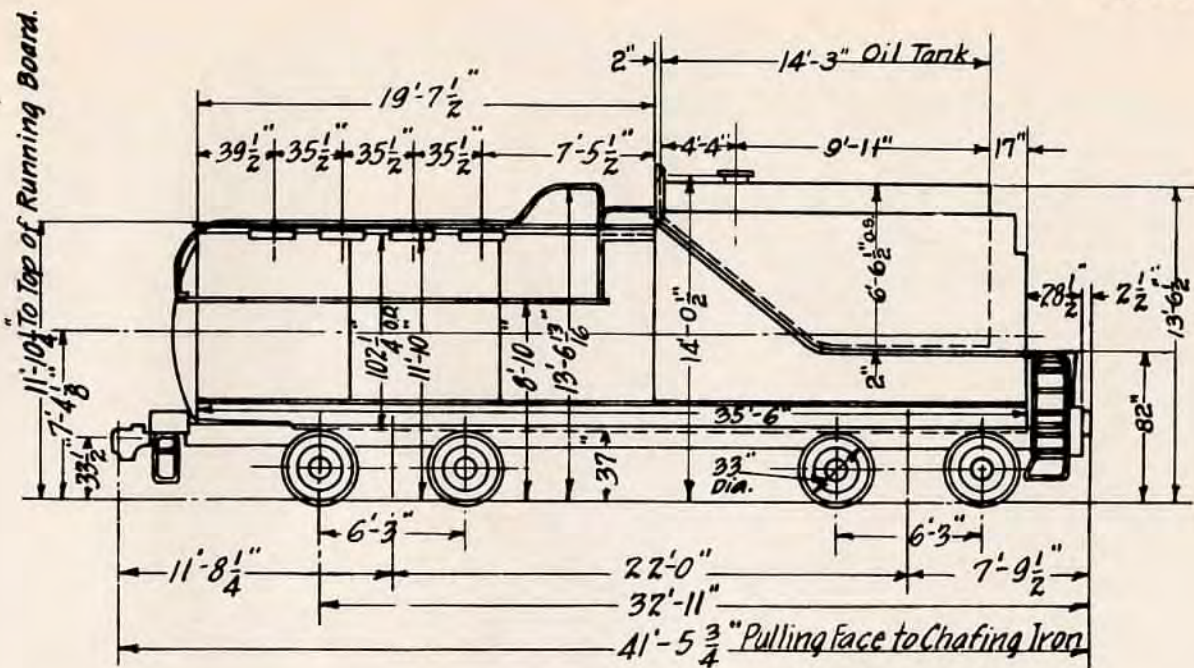
DIMENSIONS AND WEIGHTS FOR LOADED TENDER.

CAPACITY OF COAL BUNKER .....	20 TONS	SIZE OF TRUCK JOURNAL .....	6 1/2" X 12"
CAPACITY OF WATER TANK .....	11,310 GALS.	WEIGHT OF TRUCK .....	LBS.
WEIGHT OF TENDER, EMPTY .....	98,950 LBS.	WIDTH OVER FRONT STEPS .....	120 1/2"
WEIGHT OF 11,310 GALLONS OF WATER .....	94,250 LBS.	WIDTH OVER BACK STEPS .....	130 1/2"
WEIGHT OF 20 TONS OF COAL .....	40,000 LBS.	EXTREME WIDTH (over back steps) .....	130 1/2"
WEIGHT OF TENDER, LOADED .....	233,200 LBS.	Width over end sills .....	118"
JOURNAL PRESSURE IN POUNDS PER SQUARE INCH OF PROJECTED AREA .....			



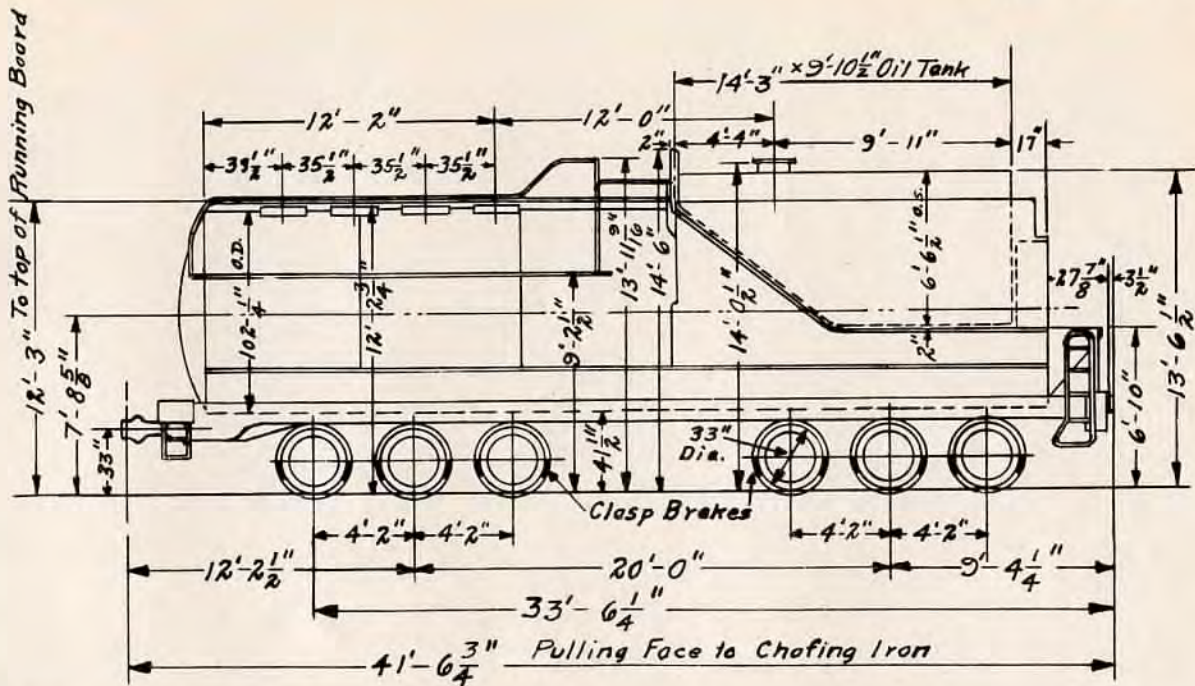
## DIMENSIONS AND WEIGHTS FOR LOADED TENDER.

CAPACITY OF OIL TANK.....	4912 GALS.	SIZE OF TRUCK JOURNAL.....	$6\frac{1}{2}" \times 12"$
GALLONS OF OIL TO MARKER BAR.....	4,692 GALS.	WEIGHT OF TRUCK.....	LBS.
CAPACITY OF WATER TANK.....	11,310 GALS.	WIDTH OVER FRONT STEPS.....	$120\frac{1}{2}"$
WEIGHT OF TENDER, EMPTY.....	103,350 LBS.	WIDTH OVER BACK STEPS.....	$130\frac{1}{2}"$
WEIGHT OF 11,310 GALLONS OF WATER.....	94,250 LBS.	EXTREME WIDTH (over back steps).....	$130\frac{1}{2}"$
WEIGHT OF 4,692 GALLONS OF FUEL OIL.....	37,500 LBS.	Width over end sills.....	$118"$
WEIGHT OF TENDER, LOADED.....	235,100 LBS.		
JOURNAL PRESSURE IN POUNDS PER SQUARE INCH OF PROJECTED AREA.....			



DIMENSIONS AND WEIGHTS FOR LOADED TENDER.

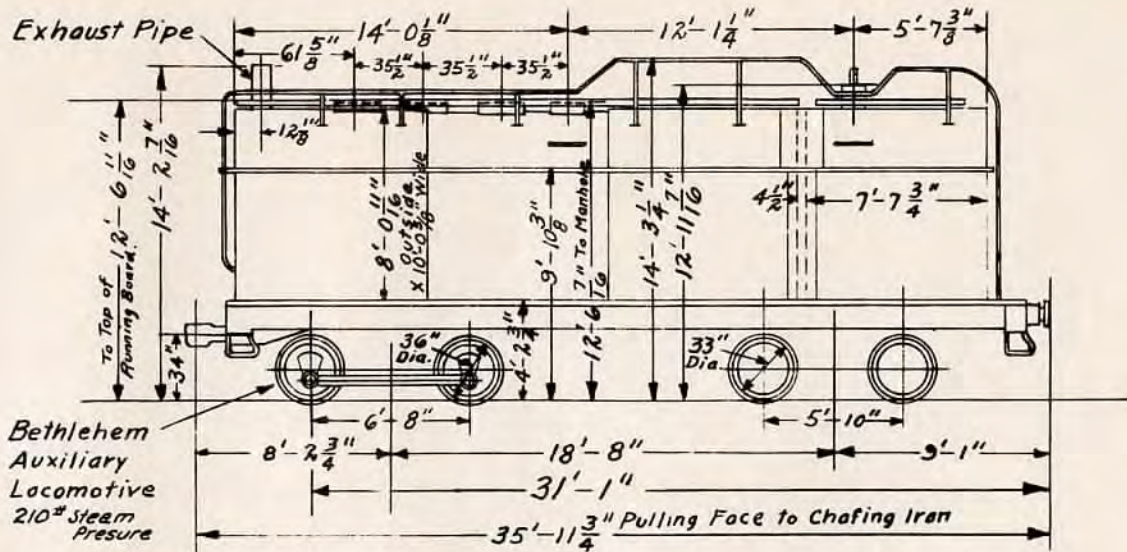
CAPACITY OF OIL TANK.....	4912	GALS.	SIZE OF TRUCK JOURNAL.....	6 1/2" X 12"
GALLONS OF OIL TO MARKER BAR.....	4692	GALS.	WEIGHT OF TRUCK.....	LBS.
CAPACITY OF WATER TANK.....	11,310	GALS.	WIDTH OVER FRONT STEPS.....	120 1/2"
WEIGHT OF TENDER, EMPTY.....	103,350	LBS.	WIDTH OVER BACK STEPS.....	130 1/2"
WEIGHT OF 11,310 GALLONS OF WATER.....	94,250	LBS.	EXTREME WIDTH (over back step).....	130 1/2"
WEIGHT OF 4,692 GALLONS OF FUEL OIL.....	37,500	LBS.	Width over end sills.....	118"
WEIGHT OF TENDER, LOADED.....	235,100	LBS.		
JOURNAL PRESSURE IN POUNDS PER SQUARE INCH OF PROJECTED AREA.....				



DIMENSIONS AND WEIGHTS FOR LOADED TENDER.

CAPACITY OF OIL TANK.....	4,912	GALS.	SIZE OF TRUCK JOURNAL.....	6" x 11"
GALLONS OF OIL TO MARKER BAR.....	4,692	GALS.	WEIGHT OF TRUCK.....	22,250 LBS.
CAPACITY OF WATER TANK.....	12,150	GALS.	WIDTH OVER FRONT STEPS.....	120 $\frac{1}{2}"$
WEIGHT OF TENDER, EMPTY.....	124,200	LBS.	WIDTH OVER BACK STEPS.....	118"
WEIGHT OF 12,150 GALLONS OF WATER.....	101,200	LBS.	EXTREME WIDTH (over front steps).....	120 $\frac{1}{2}"$
WEIGHT OF 4,692 GALLONS OF FUEL OIL.....	37,500	LBS.	Width over end sills.....	118"
WEIGHT OF TENDER, LOADED.....	262,900	LBS.		
JOURNAL PRESSURE IN POUNDS PER SQUARE INCH OF PROJECTED AREA.....				

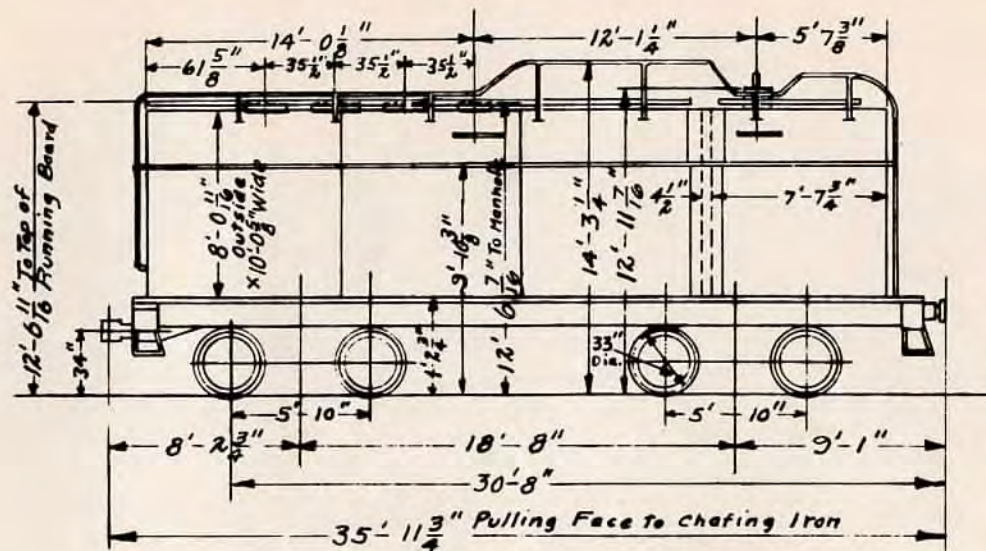




DIMENSIONS AND WEIGHTS FOR LOADED TENDER.

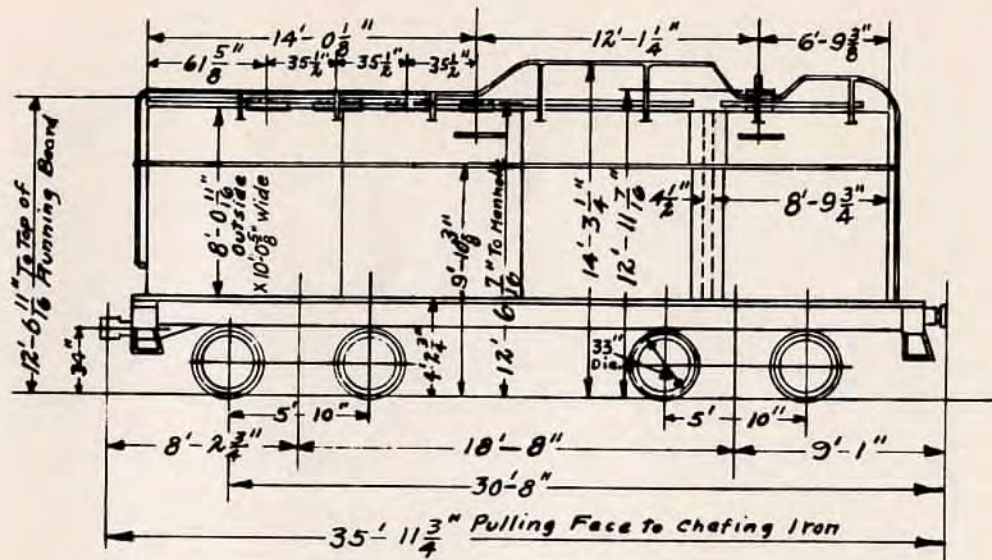
CAPACITY OF OIL TANK.....	3,771	GALS.	SIZE OF TRUCK JOURNAL.....	6 1/2" x 12" Front & 8 1/2" x 16" Rear.
GALLONS OF OIL TO MARKER BAR.....	3,678	GALS.	WEIGHT OF TRUCK.....	10,760 Lbs. Front & 31,400 Lbs. Rear.
CAPACITY OF WATER TANK.....	12,000	GALS.	WIDTH OVER FRONT STEPS.....	10'-2"
WEIGHT OF TENDER, EMPTY.....	115,600	LBS.	WIDTH OVER BACK STEPS.....	10'-2"
WEIGHT OF 12,000 GALLONS OF WATER.....	100,000	LBS.	EXTREME WIDTH (over steps).....	10'-2"
WEIGHT OF 3,678 GALLONS OF FUEL OIL.....	29,400	LBS.	Width over end sills.....	9'-4"
WEIGHT OF TENDER, LOADED.....	245,000	LBS.	Tractive Effort of Auxiliary Locomotive.....	14,200 Lbs.
JOURNAL PRESSURE IN POUNDS PER SQUARE INCH OF PROJECTED AREA.....				





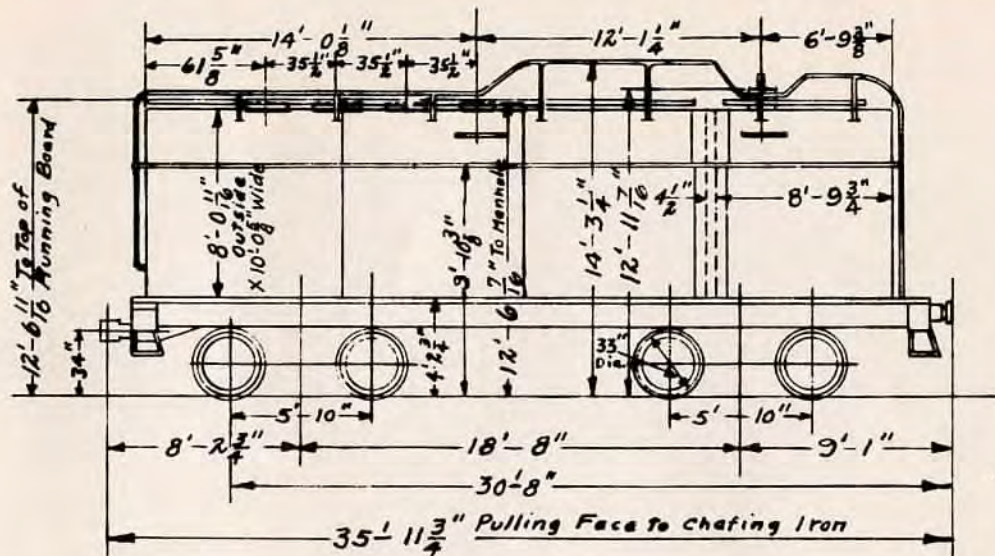
## DIMENSIONS AND WEIGHTS FOR LOADED TENDER.

CAPACITY OF OIL TANK.....	3,771 GALS.	SIZE OF TRUCK JOURNAL.....	$6\frac{1}{2}" \times 12"$
GALLONS OF OIL TO MARKER BAR.....	3,678 GALS.	WEIGHT OF TRUCK.....	10,760 LBS.
CAPACITY OF WATER TANK.....	12,000 GALS.	WIDTH OVER FRONT STEPS.....	$10' - 2"$
WEIGHT OF TENDER, EMPTY.....	95,000 LBS.	WIDTH OVER BACK STEPS.....	$10' - 2"$
WEIGHT OF 12,000 GALLONS OF WATER.....	100,000 LBS.	EXTREME WIDTH... (over steps).....	$10' - 2"$
WEIGHT OF 3,678 GALLONS OF FUEL OIL.....	29,400 LBS.	Width over end sills.....	$9' - 4"$
WEIGHT OF TENDER, LOADED.....	224,400 LBS.		
JOURNAL PRESSURE IN POUNDS PER SQUARE INCH OF PROJECTED AREA.....			



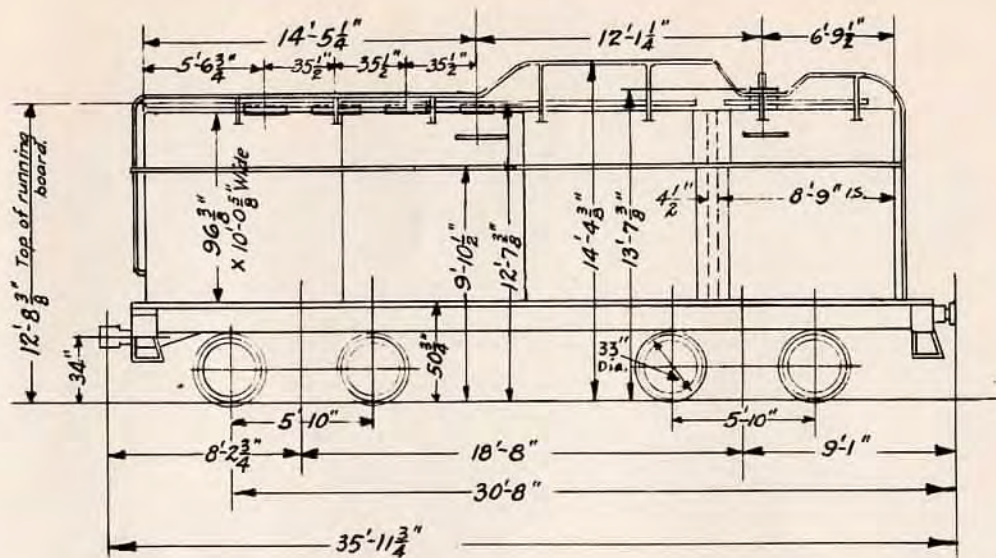
DIMENSIONS AND WEIGHTS FOR LOADED TENDER.

CAPACITY OF OIL TANK.....	4,415	GALS.	SIZE OF TRUCK JOURNAL.....	6 1/2" X 12"
GALLONS OF OIL TO MARKER BAR.....	4,307	GALS.	WEIGHT OF TRUCK.....	10,760
CAPACITY OF WATER TANK.....	12,000	GALS.	WIDTH OVER FRONT STEPS.....	10'-2"
WEIGHT OF TENDER, EMPTY.....	94,750	LBS.	WIDTH OVER BACK STEPS.....	10'-2"
WEIGHT OF 12,000 GALLONS OF WATER.....	100,000	LBS.	EXTREME WIDTH... (over steps).....	10'-2"
WEIGHT OF 4,307 GALLONS OF FUEL OIL.....	34,450	LBS.	Width over end sills.....	9'-4"
WEIGHT OF TENDER, LOADED.....	229,200	LBS.		
JOURNAL PRESSURE IN POUNDS PER SQUARE INCH OF PROJECTED AREA.....				



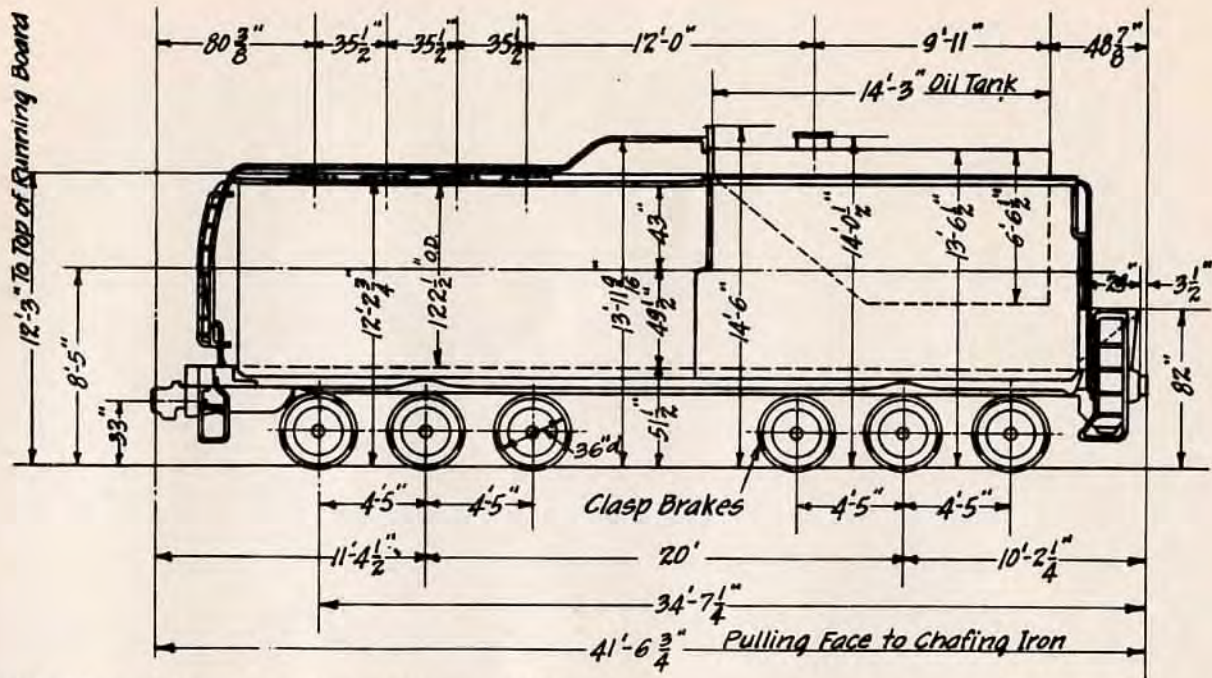
## DIMENSIONS AND WEIGHTS FOR LOADED TENDER.

CAPACITY OF OIL TANK.....	4,415	GALS.	SIZE OF TRUCK JOURNAL.....	6 1/2" x 12"
GALLONS OF OIL TO MARKER BAR.....	4,307	GALS.	WEIGHT OF TRUCK.....	10,760 LBS.
CAPACITY OF WATER TANK.....	12,000	GALS.	WIDTH OVER FRONT STEPS.....	10'-2"
WEIGHT OF TENDER, EMPTY.....	94,750	LBS.	WIDTH OVER BACK STEPS.....	10'-2"
WEIGHT OF 12,000 GALLONS OF WATER.....	100,000	LBS.	EXTREME WIDTH (over steps).....	10'-2"
WEIGHT OF 4,307 GALLONS OF FUEL OIL.....	34,450	LBS.	Width over end sills.....	9'-4"
WEIGHT OF TENDER, LOADED.....	229,200	LBS.		
JOURNAL PRESSURE IN POUNDS PER SQUARE INCH OF PROJECTED AREA.....				



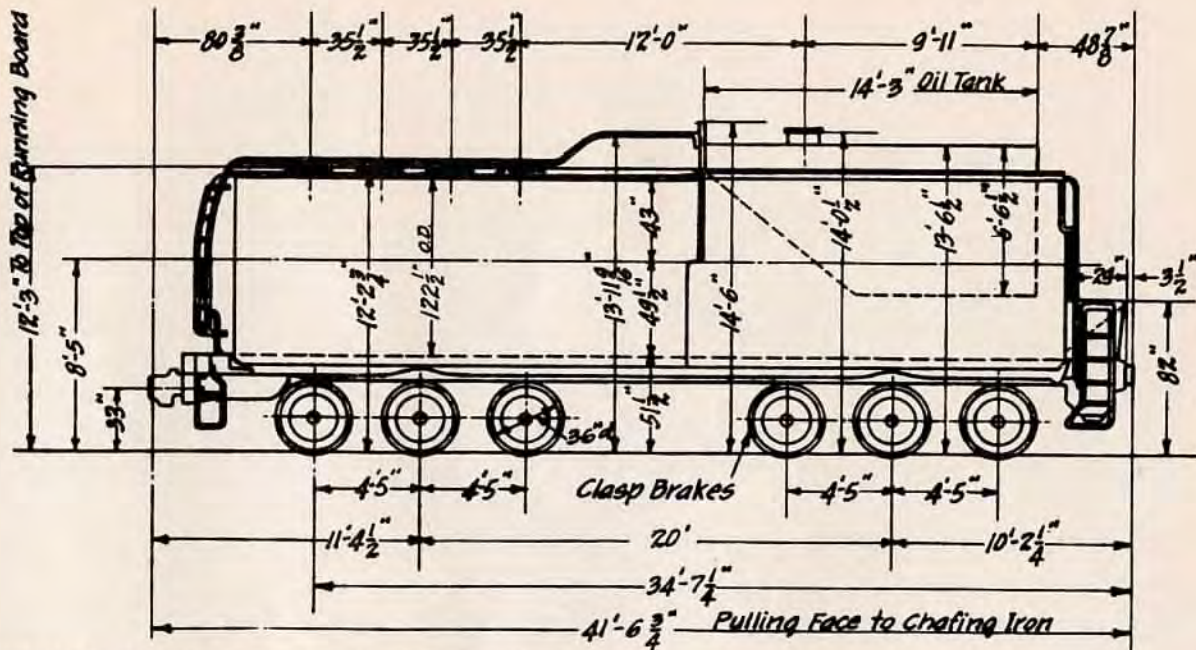
DIMENSIONS AND WEIGHTS FOR LOADED TENDER.

CAPACITY OF OIL TANK.....	4,415 GALS.	SIZE OF TRUCK JOURNAL.....	6 1/2" X 12"
GALLONS OF OIL TO MARKER BAR.....	4,307 GALS.	WEIGHT OF TRUCK.....	10,760 LBS.
CAPACITY OF WATER TANK.....	12,000 GALS.	WIDTH OVER FRONT STEPS.....	10'-2"
WEIGHT OF TENDER, EMPTY.....	94,750 LBS.	WIDTH OVER BACK STEPS.....	10'-2"
WEIGHT OF 12,000 GALLONS OF WATER.....	100,000 LBS.	EXTREME WIDTH (over steps).....	10'-2"
WEIGHT OF 4,307 GALLONS OF FUEL OIL.....	34,450 LBS.	Width over end sill.....	9'-4"
WEIGHT OF TENDER, LOADED.....	229,200 LBS.		
JOURNAL PRESSURE IN POUNDS PER SQUARE INCH OF PROJECTED AREA.....			



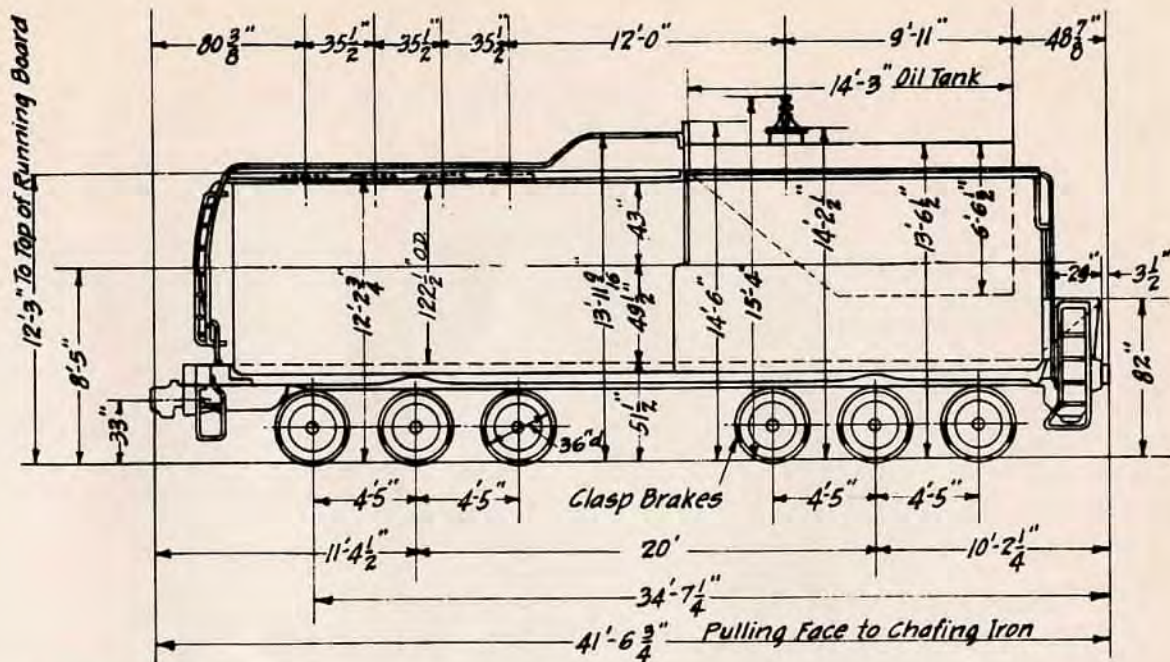
DIMENSIONS AND WEIGHTS FOR LOADED TENDER.

CAPACITY OF OIL TANK.....	4,912	GALS.	SIZE OF TRUCK JOURNAL.....	6"X11"
GALLONS OF OIL TO MARKER BAR.....	4,692	GALS.	WEIGHT OF TRUCK.....	26,000 LBS.
CAPACITY OF WATER TANK.....	16,152	GALS.	WIDTH OVER FRONT STEPS.....	120 1/2"
WEIGHT OF TENDER, EMPTY.....	119,000	LBS.	WIDTH OVER BACK STEPS.....	118"
WEIGHT OF 16,152 GALLONS OF WATER.....	134,600	LBS.	EXTREME WIDTH (over front steps).....	120 1/2"
WEIGHT OF 4,692 GALLONS OF FUEL OIL.....	37,500	LBS.	Width over end sills.....	118"
WEIGHT OF TENDER, LOADED.....	291,000	LBS.		
JOURNAL PRESSURE IN POUNDS PER SQUARE INCH OF PROJECTED AREA.....				



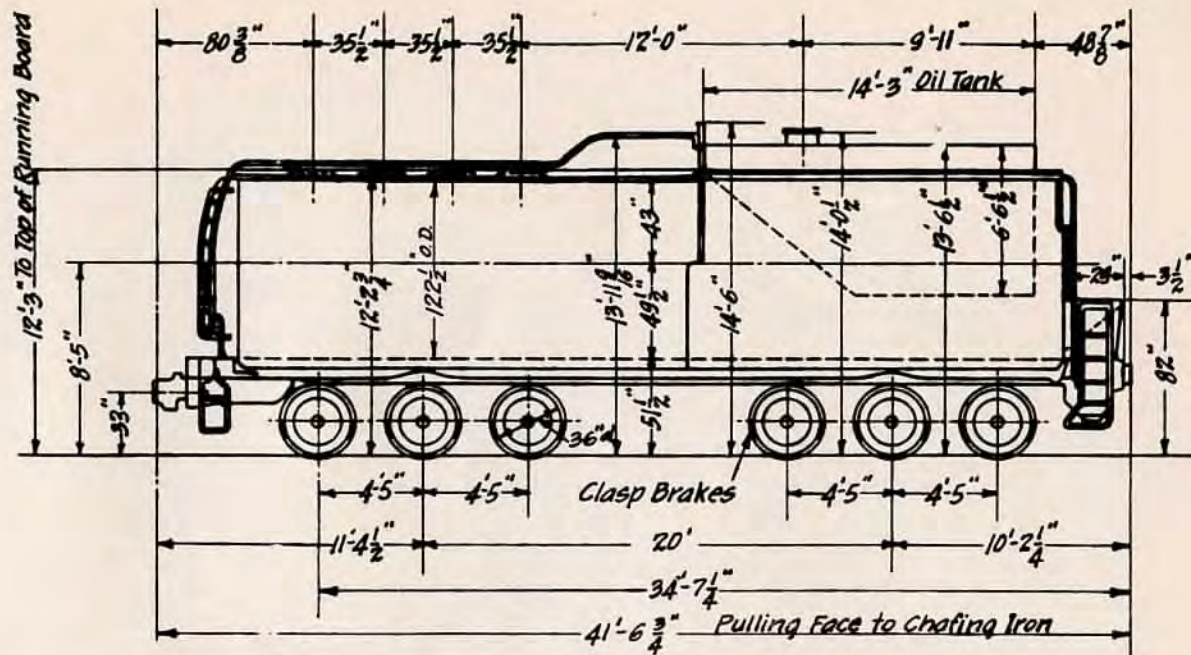
DIMENSIONS AND WEIGHTS FOR LOADED TENDER.

CAPACITY OF OIL TANK.....	4,912 GALS.	SIZE OF TRUCK JOURNAL.....	6"x11"
GALLONS OF OIL TO MARKER BAR.....	4,692 GALS.	WEIGHT OF TRUCK.....	26,000 LBS.
CAPACITY OF WATER TANK.....	16,152 GALS.	WIDTH OVER FRONT STEPS.....	120 1/2"
WEIGHT OF TENDER, EMPTY.....	119,000 LBS.	WIDTH OVER BACK STEPS.....	118"
WEIGHT OF 16,152 GALLONS OF WATER.....	134,600 LBS.	EXTREME WIDTH... (over front steps).....	120 1/2"
WEIGHT OF 4,692 GALLONS OF FUEL OIL.....	37,500 LBS.	Width over end sills.....	118"
WEIGHT OF TENDER, LOADED.....	291,000 LBS.		
JOURNAL PRESSURE IN POUNDS PER SQUARE INCH OF PROJECTED AREA.....			



## DIMENSIONS AND WEIGHTS FOR LOADED TENDER.

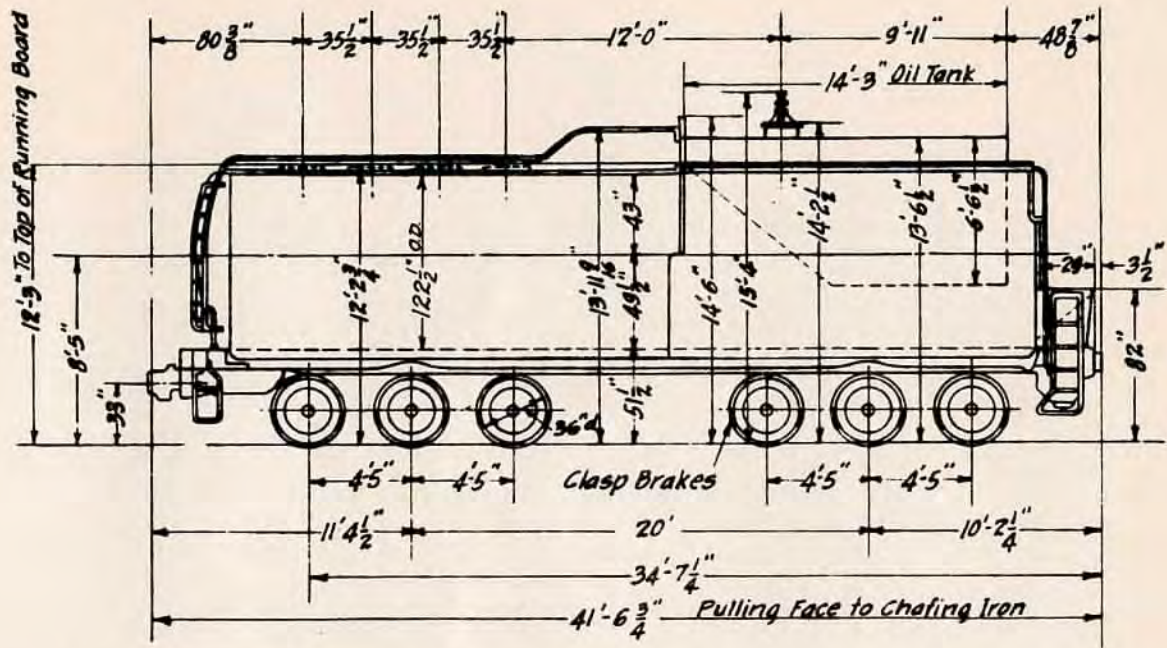
CAPACITY OF OIL TANK.....	4,889 GALS.	SIZE OF TRUCK JOURNAL.....	6"X11"
GALLONS OF OIL TO MARKER BAR.....	4,662 GALS.	WEIGHT OF TRUCK.....	26,000 LBS.
CAPACITY OF WATER TANK.....	16,152 GALS.	WIDTH OVER FRONT STEPS.....	120 $\frac{1}{2}$ "
WEIGHT OF TENDER, EMPTY.....	120,200 LBS.	WIDTH OVER BACK STEPS.....	118"
WEIGHT OF 16,152 GALLONS OF WATER.....	134,600 LBS.	EXTREME WIDTH (over front steps).....	120 $\frac{1}{2}$ "
WEIGHT OF 4,662 GALLONS OF FUEL OIL.....	37,300 LBS.	Width over end sills.....	118"
WEIGHT OF TENDER, LOADED.....	292,100 LBS.		
JOURNAL PRESSURE IN POUNDS PER SQUARE INCH OF PROJECTED AREA.....			



## DIMENSIONS AND WEIGHTS FOR LOADED TENDER.

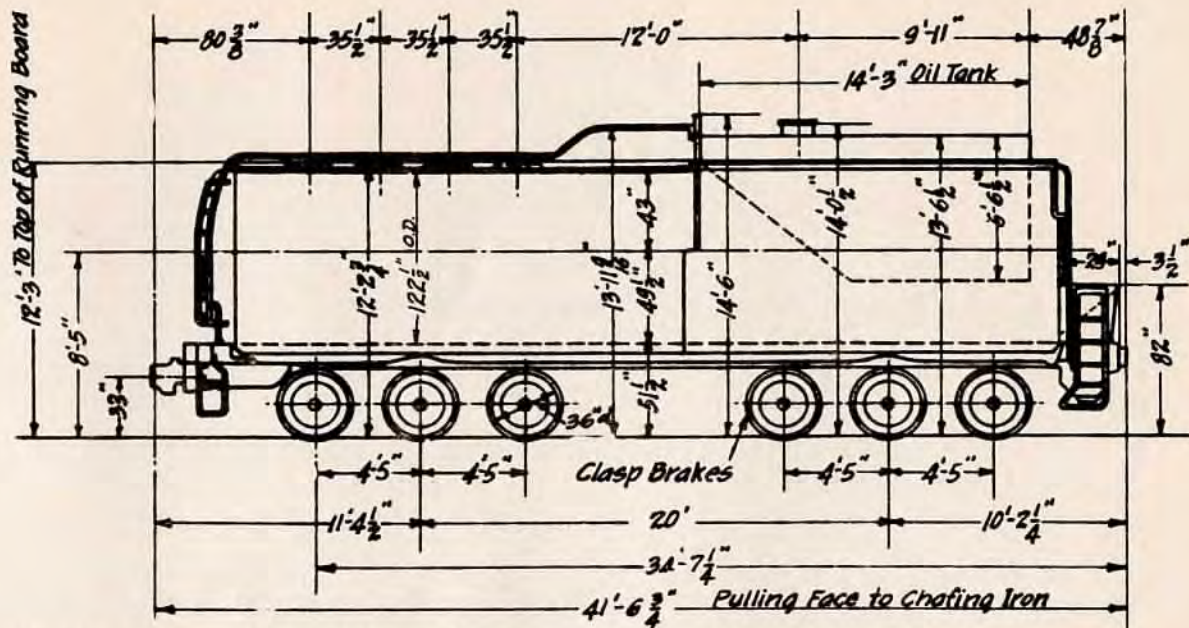
CAPACITY OF OIL TANK.....	4,912	GALS.	SIZE OF TRUCK JOURNAL.....	6"x11"
GALLONS OF OIL TO MARKER BAR.....	4,692	GALS.	WEIGHT OF TRUCK.....	26,000 LBS.
CAPACITY OF WATER TANK.....	16,152	GALS.	WIDTH OVER FRONT STEPS.....	120 $\frac{1}{2}"$
WEIGHT OF TENDER, EMPTY.....	119,000	LBS.	WIDTH OVER BACK STEPS.....	118"
WEIGHT OF 16,152 GALLONS OF WATER.....	134,600	LBS.	EXTREME WIDTH... (over front steps)	120 $\frac{1}{2}"$
WEIGHT OF 4,692 GALLONS OF FUEL OIL.....	37,500	LBS.	Width over end sills.....	118"
WEIGHT OF TENDER, LOADED.....	291,000	LBS.		
JOURNAL PRESSURE IN POUNDS PER SQUARE INCH OF PROJECTED AREA.....				





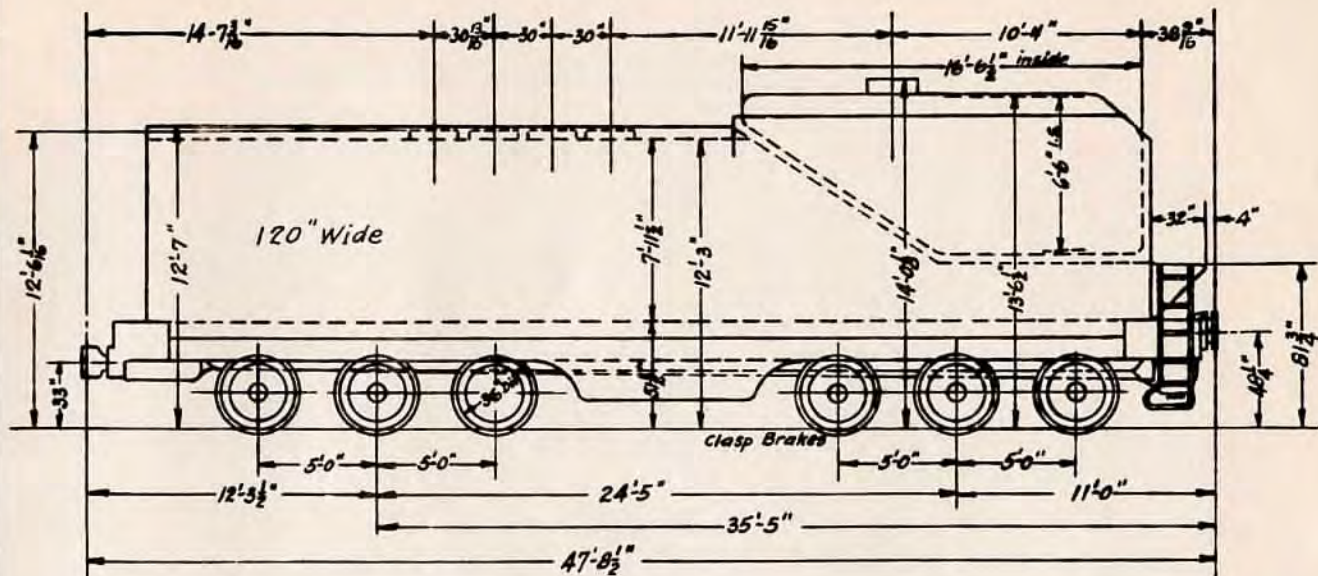
DIMENSIONS AND WEIGHTS FOR LOADED TENDER.

CAPACITY OF OIL TANK.....	4,889	GALS.	SIZE OF TRUCK JOURNAL.....	6"X11"
GALLONS OF OIL TO MARKER BAR.....	4,662	GALS.	WEIGHT OF TRUCK.....	26,000 LBS.
CAPACITY OF WATER TANK.....	16,152	GALS.	WIDTH OVER FRONT STEPS.....	120 1/2"
WEIGHT OF TENDER, EMPTY.....	124,100	LBS.	WIDTH OVER BACK STEPS.....	118"
WEIGHT OF 16,152 GALLONS OF WATER.....	134,600	LBS.	EXTREME WIDTH (over front steps).....	120 1/2"
WEIGHT OF 4,662 GALLONS OF FUEL OIL.....	37,300	LBS.	Width over end sills.....	118"
WEIGHT OF TENDER, LOADED.....	296,000	LBS.		
JOURNAL PRESSURE IN POUNDS PER SQUARE INCH OF PROJECTED AREA.....				



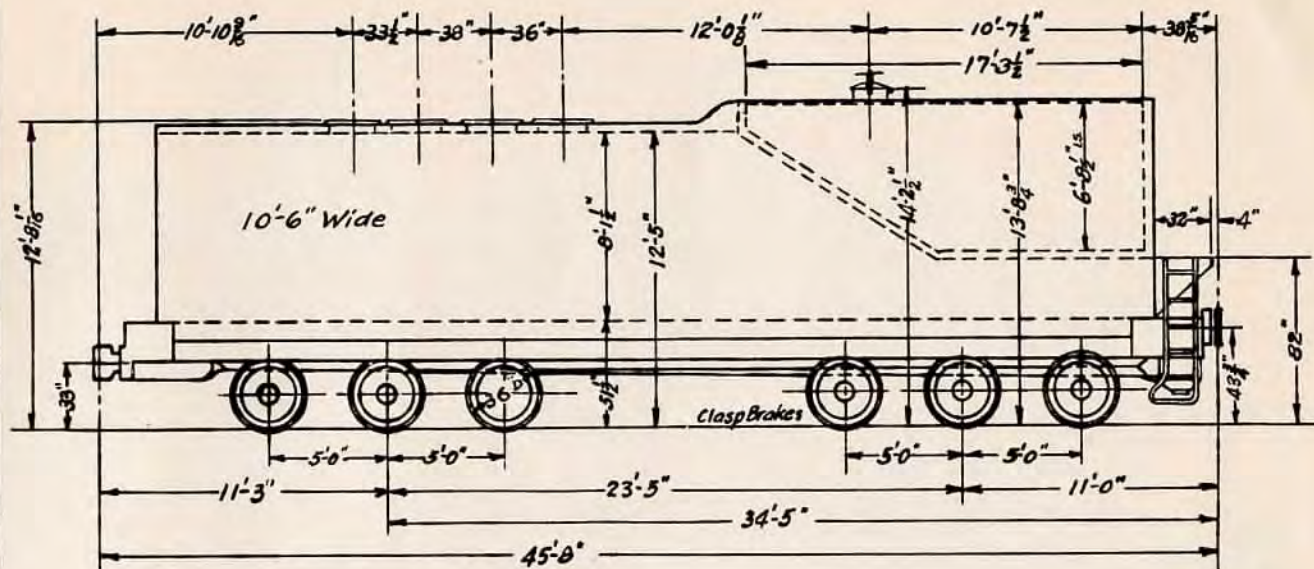
DIMENSIONS AND WEIGHTS FOR LOADED TENDER.

CAPACITY OF OIL TANK.....	4,912	GALS.	SIZE OF TRUCK JOURNAL.....	6" X 11"
GALLONS OF OIL TO MARKER BAR.....	4,692	GALS.	WEIGHT OF TRUCK.....	26,000 LBS.
CAPACITY OF WATER TANK.....	16,152	GALS.	WIDTH OVER FRONT STEPS.....	120 1/2"
WEIGHT OF TENDER, EMPTY.....	121,300	LBS.	WIDTH OVER BACK STEPS.....	118"
WEIGHT OF 16,152 GALLONS OF WATER.....	134,600	LBS.	EXTREME WIDTH (over front steps).....	120 1/2"
WEIGHT OF 4,692 GALLONS OF FUEL OIL.....	37,500	LBS.	Width over end sills.....	118"
WEIGHT OF TENDER, LOADED.....	293,400	LBS.		
JOURNAL PRESSURE IN POUNDS PER SQUARE INCH OF PROJECTED AREA.....				



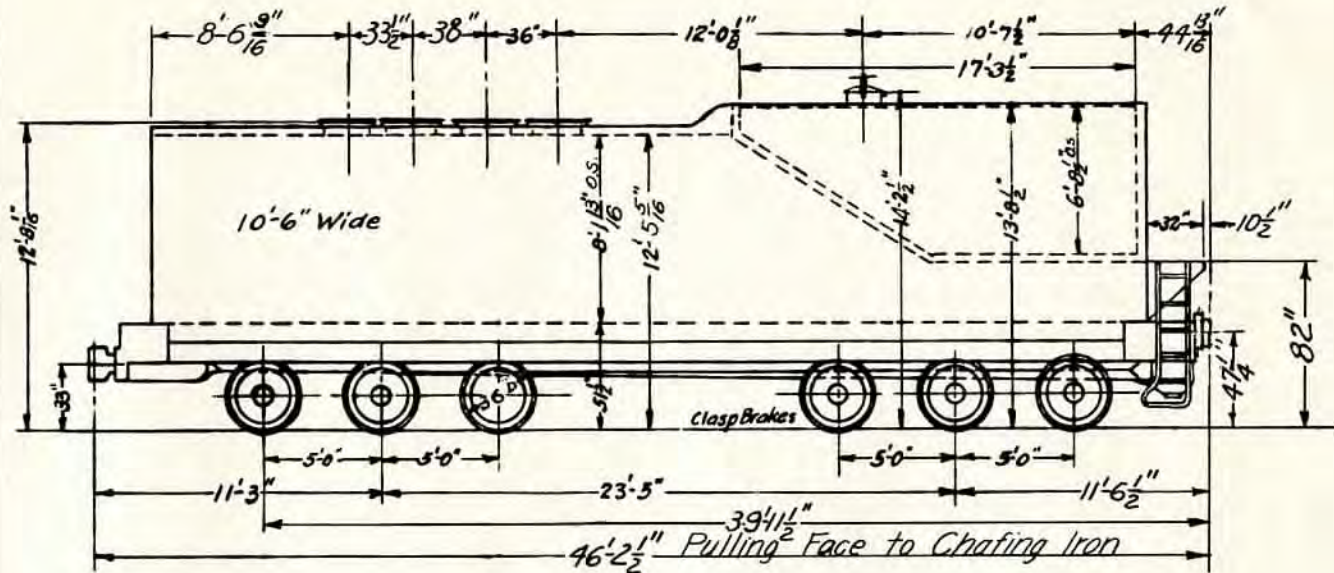
## DIMENSIONS AND WEIGHTS FOR LOADED TENDER.

CAPACITY OF OIL TANK.....	6,275	GALS.	SIZE OF TRUCK JOURNAL.....	7" x 14"	
GALLONS OF OIL TO MARKER BAR.....	6,000	GALS.	WEIGHT OF TRUCK.....	22,500	LBS.
CAPACITY OF WATER TANK.....	21,600	GALS.	WIDTH OVER FRONT STEPS.....	10'-1 1/8"	
WEIGHT OF TENDER, EMPTY.....	145,000	LBS.	WIDTH OVER BACK STEPS.....	10'-0"	
WEIGHT OF 21,600 GALLONS OF WATER.....	180,000	LBS.	EXTREME WIDTH (over front steps).....	10'-1 1/8"	
WEIGHT OF 6,000 GALLONS OF FUEL OIL.....	48,000	LBS.	Width over end sills.....	9'-10"	
WEIGHT OF TENDER, LOADED.....	373,000	LBS.			
JOURNAL PRESSURE IN POUNDS PER SQUARE INCH OF PROJECTED AREA.....					



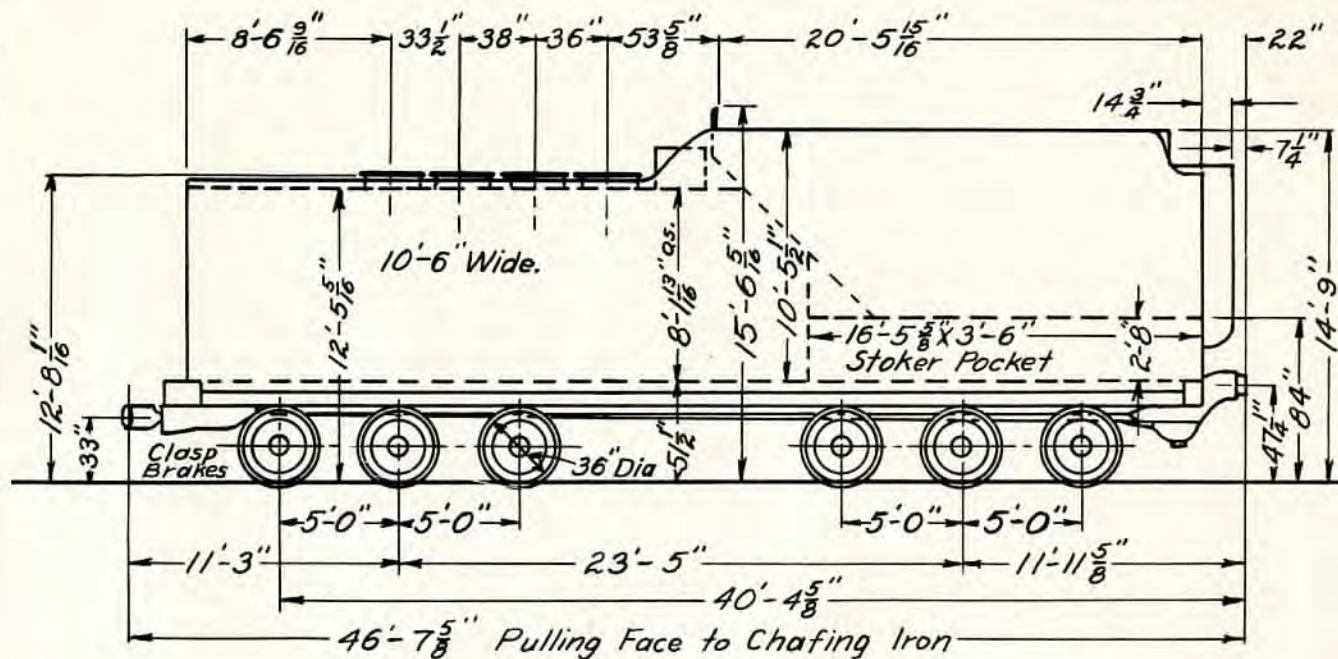
**DIMENSIONS AND WEIGHTS FOR LOADED TENDER.**

CAPACITY OF OIL TANK.....	6,400 GALS.	SIZE OF TRUCK JOURNAL.....	7"X14"
GALLONS OF OIL TO MARKER BAR.....	6,100 GALS.	WEIGHT OF TRUCK.....	22,500 LBS.
CAPACITY OF WATER TANK.....	22,030 GALS.	WIDTH OVER FRONT STEPS.....	10'-1 1/8"
WEIGHT OF TENDER, EMPTY.....	156,600 LBS.	WIDTH OVER BACK STEPS.....	10'-0"
WEIGHT OF 22,030 GALLONS OF WATER.....	183,500 LBS.	EXTREME WIDTH... (Top tank beading).....	10'-6 7/8"
WEIGHT OF 6,100 GALLONS OF FUEL OIL.....	48,800 LBS.	Width over end sills.....	10'-0"
WEIGHT OF TENDER, LOADED.....	388,900 LBS.		
JOURNAL PRESSURE IN POUNDS PER SQUARE INCH OF PROJECTED AREA.....			



**DIMENSIONS AND WEIGHTS FOR LOADED TENDER.**

CAPACITY OF OIL TANK.....	6,400 GALS.	SIZE OF TRUCK JOURNAL.....	7" x 14"
GALLONS OF OIL TO MARKER BAR.....	6,100 GALS.	WEIGHT OF TRUCK.....	27,500 LBS.
CAPACITY OF WATER TANK.....	21,900 GALS.	WIDTH OVER FRONT STEPS.....	10'-1-1/8"
WEIGHT OF TENDER, EMPTY.....	160,000 LBS.	WIDTH OVER BACK STEPS.....	10'-0"
WEIGHT OF 21,900 GALLONS OF WATER.....	182,500 LBS.	EXTREME WIDTH (Top tank beading).....	10'-6-7/8"
WEIGHT OF 6,100 GALLONS OF FUEL OIL.....	50,800 LBS.	Width over end sills.....	10'-0"
WEIGHT OF TENDER, LOADED.....	393,300 LBS.		
JOURNAL PRESSURE IN POUNDS PER SQUARE INCH OF PROJECTED AREA, Max. (Front Truck).....			325 Lbs.



DIMENSIONS AND WEIGHTS FOR LOADED TENDER.

Capacity of Coal Bunker	28 Tons	SIZE OF TRUCK JOURNAL	7" x 14"
CAPACITY OF WATER TANK	22,120 GALS.	WEIGHT OF TRUCK	27,500 LBS.
WEIGHT OF TENDER, EMPTY	160,400 LBS.	WIDTH OVER FRONT STEPS	None
WEIGHT OF 22,120 GALLONS OF WATER	184,300 LBS.	WIDTH OVER BACK STEPS	10'-0"
WEIGHT OF 28 Tons of Coal	56,000 LBS.	EXTREME WIDTH (Top Tank Beading)	10'-6-3/4"
WEIGHT OF TENDER, LOADED	400,700 LBS.	Width Over End Sills	10'-0"
JOURNAL PRESSURE IN POUNDS PER SQUARE INCH OF PROJECTED AREA		Max. (Front Truck)	344 Lbs



